



T&S BRASS AND BRONZE WORKS, INC.

2 Saddleback Cove / P.O. Box 1088
Travelers Rest, SC 29690

Model No.

BL-5705-01

Item No.

Travelers Rest, SC: 800-476-4103 • Simi Valley, CA: 800-423-0150 • Fax: 864-834-3518 • www.tsbrass.com



3 5/16"
[84mm]



ADA Compliant

This Space for Architect/Engineer Approval

Job Name _____ Date _____

Model Specified _____ Quantity _____

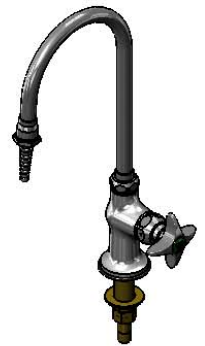
Customer/Wholesaler _____

Contractor _____

Architect/Engineer _____

Swivel Gooseneck w/
B-0198
Serrated Tip w/ Washer
Converts to Rigid w/
014200-45 Lock Washer
(Included)

Quarter-Turn Eterna
Cartridge w/ Spring
Check & 4-Arm Lab
Handle w/ Color
Coded Index



14 3/16"
[361mm]

5 7/8"
[150mm]

7 5/16"
[186mm]

2 7/16"
[61mm]

Mounting
Surface

Ø 2" [51mm]
Flange w/
Black Plastic Deck
Gasket & 1/2" NPSM
Male Inlet

1 1/2"
[38mm]
Maximum
Thickness

150A
Optional Tailpiece & Nut
for 1/4" NPT Connection
(Included)

Rough-In Requirement:
Ø 1" [25mm] Mounting Hole

Product Specifications:
Single Hole Single Temperature Laboratory Faucet, Quarter-Turn Eterna
Cartridge w/ Spring Check, 4-Arm Lab Handle, Swivel/Rigid Gooseneck,
Serrated Tip Outlet & 1/2" NPSM Male Inlet

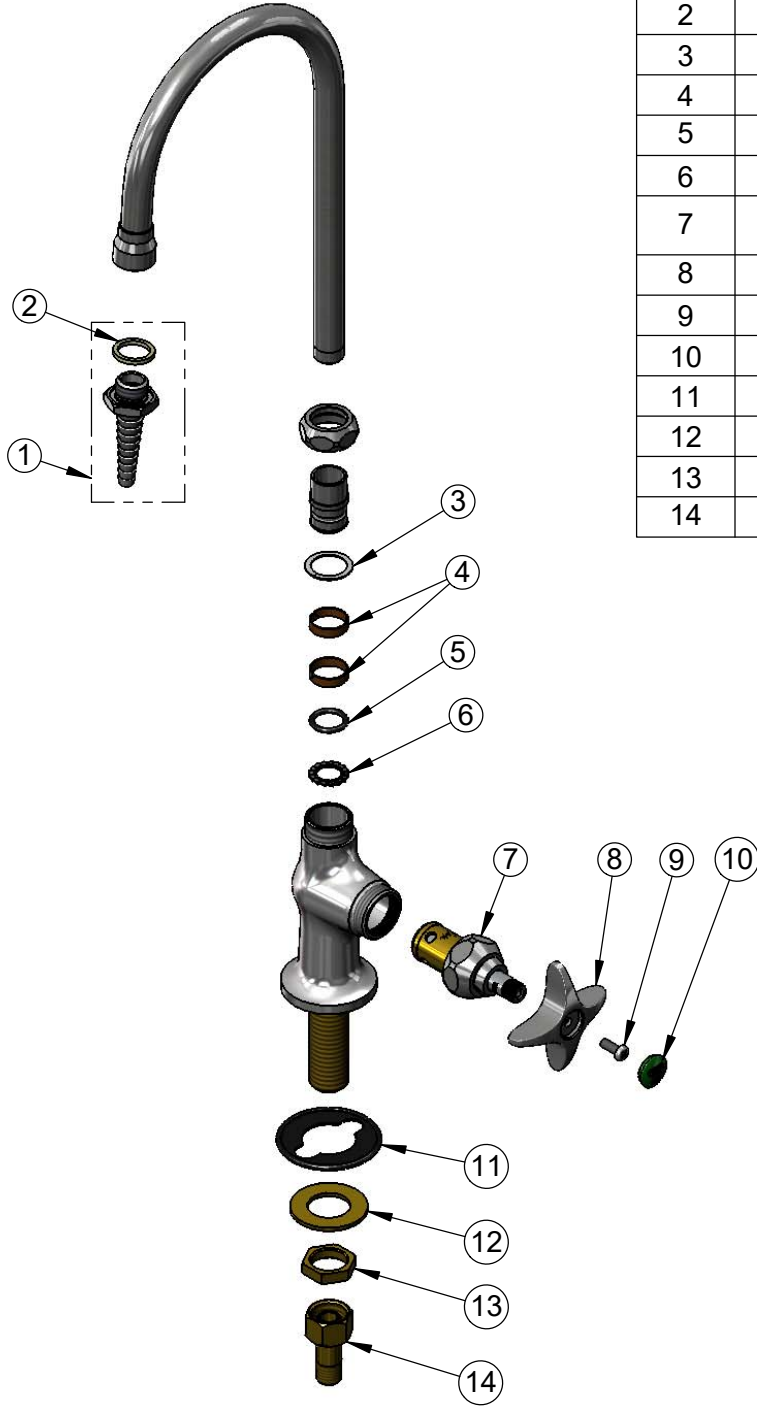
Product Compliance:
ASME A112.18.1 / CSA B125.1
NSF 61 - Section 9
NSF 372 (Low Lead Content)
ANSI A117.1 (ADA)



T&S BRASS AND BRONZE WORKS, INC.
 2 Saddleback Cove / P.O. Box 1088
 Travelers Rest, SC 29690

Model No.
BL-5705-01
 Item No.

Travelers Rest, SC: 800-476-4103 • Simi Valley, CA: 800-423-0150 • Fax: 864-834-3518 • www.tsbrass.com



| ITEM NO. | SALES NO. | DESCRIPTION |
|----------|-------------|--|
| 1 | B-0198 | Serrated Tip w/ Washer |
| 2 | 001051-45 | Washer |
| 3 | 009538-45 | Swivel Washer |
| 4 | 011429-45 | Swivel Sleeves (2) |
| 5 | 001074-45 | O-Ring |
| 6 | 014200-45 | Star Washer, Anti-Rotation |
| 7 | 012443-40NS | Quarter-Turn Eterna Cartridge w/ Spring Check, RTC |
| 8 | 002521-45NS | 4-Arm Handle (New Style) |
| 9 | 000925-45 | Lab Handle Screw |
| 10 | 001191-45NS | Green "CW" Lab Button Index |
| 11 | 144L | Black Plastic Deck Gasket |
| 12 | 000999-45 | Brass Lock Washer |
| 13 | 002954-45 | Shank Lock Nut |
| 14 | 150A | 1/4" NPT Tailpiece & Nut |

Product Specifications:

Single Hole Single Temperature Laboratory Faucet, Quarter-Turn Eterna Cartridge w/ Spring Check, 4-Arm Lab Handle, Swivel/Rigid Gooseneck, Serrated Tip Outlet & 1/2" NPSM Male Inlet

Product Compliance:

ASME A112.18.1 / CSA B125.1
 NSF 61 - Section 9
 NSF 372 (Low Lead Content)
 ANSI A117.1 (ADA)