



# T&S BRASS AND BRONZE WORKS, INC.

2 Saddleback Cove / P.O. Box 1088  
Travelers Rest, SC 29690

Model No.

**B-2346**

Item No.

Travelers Rest, SC: 800-476-4103 • Simi Valley, CA: 800-423-0150 • Fax: 864-834-3518 • www.tsbrass.com

This Space for Architect/Engineer Approval

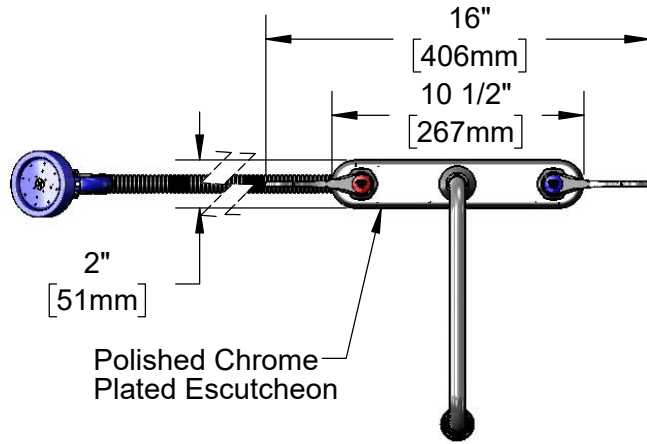
Job Name \_\_\_\_\_ Date \_\_\_\_\_

Model Specified \_\_\_\_\_ Quantity \_\_\_\_\_

Customer/Wholesaler \_\_\_\_\_

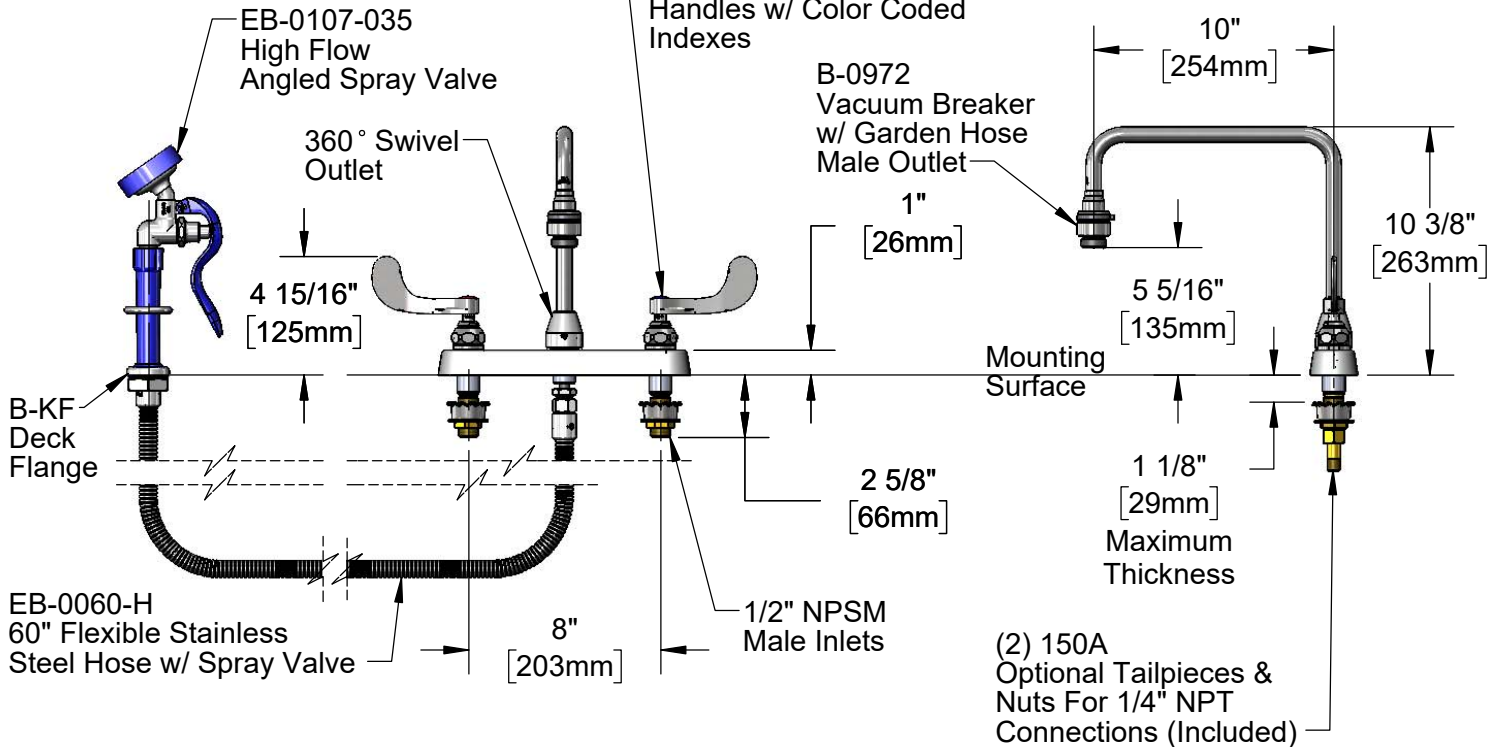
Contractor \_\_\_\_\_

Architect/Engineer \_\_\_\_\_



Polished Chrome  
Plated Escutcheon

Quarter-Turn Eterna  
Cartridges w/ Spring  
Checks & 4" Wrist Action  
Handles w/ Color Coded  
Indexes



**Rough-In Requirement:**

Faucet: (3)  $\phi$  1" [25mm] Mounting Holes

Deck Flange: (1)  $\phi$  1 9/16" [40mm] Mounting Hole

**Product Specifications:**

8" Deck Mount Mixing Faucet w/ 60" Flexible Stainless Steel Hose, High Flow Angled Spray Valve, 4" Wrist Action Handles, Vacuum Breaker Gooseneck w/ Garden Hose Male Outlet & 1/2" NPSM Male Inlets

**Product Compliance:**

ASME A112.18.1 / CSA B125.1  
NSF 61 - Section 9  
NSF 372 (Low Lead Content)  
EPA Act 2005 Non-Compliant (PRSV)  
ASSE 1011 (VB)



# T&S BRASS AND BRONZE WORKS, INC.

2 Saddleback Cove / P.O. Box 1088  
Travelers Rest, SC 29690

Model No.

**B-2346**

Item No.

Travelers Rest, SC: 800-476-4103 • Simi Valley, CA: 800-423-0150 • Fax: 864-834-3518 • www.tsbrass.com

ITEM NO.	SALES NO.	DESCRIPTION
2	000560-25	Adapter 3/4" GH X 3/8" NPSM
3	001043-45	Washer
4	009556-40	Swivel Gooseneck (Less Vacuum Breaker)
5	001486-45	Diverter Cover Screw
6	006562-45	O-Ring
7	018506-19NS	Blue Button Index, Press-in
8	000925-45	Lab Handle Screw
9	012442-40NS	Quarter-Turn Eterna Cartridge w/ Spring Check, LTC
10	019376-40	Escutcheon Lock Nut
11	019375-40	B-1120 Eterna Workboard Escutcheon
12	002338-45	Valve Diverter Piston
13	000542-25	1/8" NPT x 3/4-14 Male Adapter
14	010476-45	#27 Washer
15	EB-0060-H	60" Flexible Stainless Steel Hose w/ Blue Grip Handle
16	150A	1/4" NPT Tailpiece & Nut
17	002954-45	Shank Lock Nut
18	000999-45	Brass Lock Washer
19	001000-45	Rosette Washer
20	012443-40NS	Quarter-Turn Eterna Cartridge w/ Spring Check, RTC
21	B-WH4-NS	Wrist Action Handle (New Style)
22	001193-19NS	Red Button Index, Press-in
23	B-KF	Protective Flange
24	000907-45	Spray Valve Hold Down Ring
25	EB-0107-035	High Flow Angled Spray Valve (Blue)
26	B-WH4H-NS	Wrist Action Handle, Red Index & Screw
27	B-WH4C-NS	Wrist Action Handle, Blue Index & Screw

**Product Specifications:**  
8" Deck Mount Mixing Faucet w/ 60" Flexible Stainless Steel Hose, High Flow Angled Spray Valve, 4" Wrist Action Handles, Vacuum Breaker Gooseneck w/ Garden Hose Male Outlet & 1/2" NPSM Male Inlets

**Product Compliance:**  
ASME A112.18.1 / CSA B125.1  
NSF 61 - Section 9  
NSF 372 (Low Lead Content)  
EPA Act 2005 Non-Compliant (PRSV)  
ASSE 1011 (VB)