

CODE NUMBER

3729701

DESCRIPTION

1.6/1.1 gpf, Polished Chrome Finish, Single Flush, UPPERCUT® Exposed Manual Specialty Water Closet Bedpan Washer Flushometer.

DETAILS

- Flush Volume: 1.6/1.1 gpf (6.0/4.2 Lpf)
- Finish: Polished Chrome (CP)
- Valve: Diaphragm
- Valve Body Material: Semi-red Brass
- Fixture Type: Water Closet
- Fixture Connection: Top spud
- Rough-In Dimension: 34 3/8" (873mm)
- Spud Coupling: 1 1/2" (38mm)
- Supply Pipe: 1" (25mm)

FEATURES

- Lifting Handle UP initiates reduced flush (1.1 gpf/4.2 Lpf), eliminating liquid and paper waster, saving a 1/2-gallon of water
- Pushing Handle DOWN initiates full flush (1.6 gpf/6.0 Lpf), eliminating all waste
- Reduces water volume by up to 30% when activated UPWARDS
- Antimicrobial Coating on Handle Protects Handle Against Germs
- Metal Non-Hold-Open Handle with Triple Seal Handle Packing
- 1" I.P.S. Screwdriver Bak-Chek® Angle Stop with Vandal Resistant Stop Cap
- Vandal Resistant Stop Cap
- Vacuum Breaker with Flush Connection
- Spud Coupling and Spud Flange for 1 1/2" Top Spud
- Sweat Solder Adapter with Cover Tube and Cast Wall Flange
- Non-Hold-Open Handle and No External Volume Adjustment to Ensure Water Conservation
- Stop Seat and Vacuum Breaker molded from PERMEX® Rubber Compound for Chloramine Resistance
- Includes two (2) adhesive backed Metal Wall Plates etched with Instructions

Bedpan Washer Diverter Assembly with the following features:

- Solid One-piece Body Construction
- Solid Brass Spray Arm
- Counter Balanced Pivot Assembly and Diverter Valve Wall Support
- Infrared Sensor with Multiple-focused, Lobular Sensing Fields for high and low target detection



Variation Not Shown: 1.25" Flush Connection

COMPLIANCES & CERTIFICATIONS



(BAA Compliant, BREEAM Water Credit, cUPC Certified, Green Globes Water Credit)

RECOMMENDED SPECIFICATION

Valve Body, Cover, Tailpiece and Control Stop shall be in conformance with ASTM Alloy Classification for Semi- Red Brass. Valve shall be in compliance with the applicable sections of ASSE 1037 and ANSI/ASME 112.19.2.

VALVE OPERATING PRESSURE (FLOWING)

15-80 PSI (103-552 kPa). Specific fixtures may require greater minimum flowing pressure - consult manufacturer requirements.

DOWNLOADS

- [Control Stop Repair and Maintenance Guide](#)
- [Flush Connections Flanges Repair and Maintenance Guide](#)
- [Tail Piece Repair and Maintenance Guide](#)
- [Slimline Bedpan Washer Repair and Maintenance Guide](#)
- [Additional Downloads](#)

NOTES

All information contained within this document subject to change without notice.

Looking for other variations of the WES BPW 1000 product? [View the general spec sheet with all options.](#)

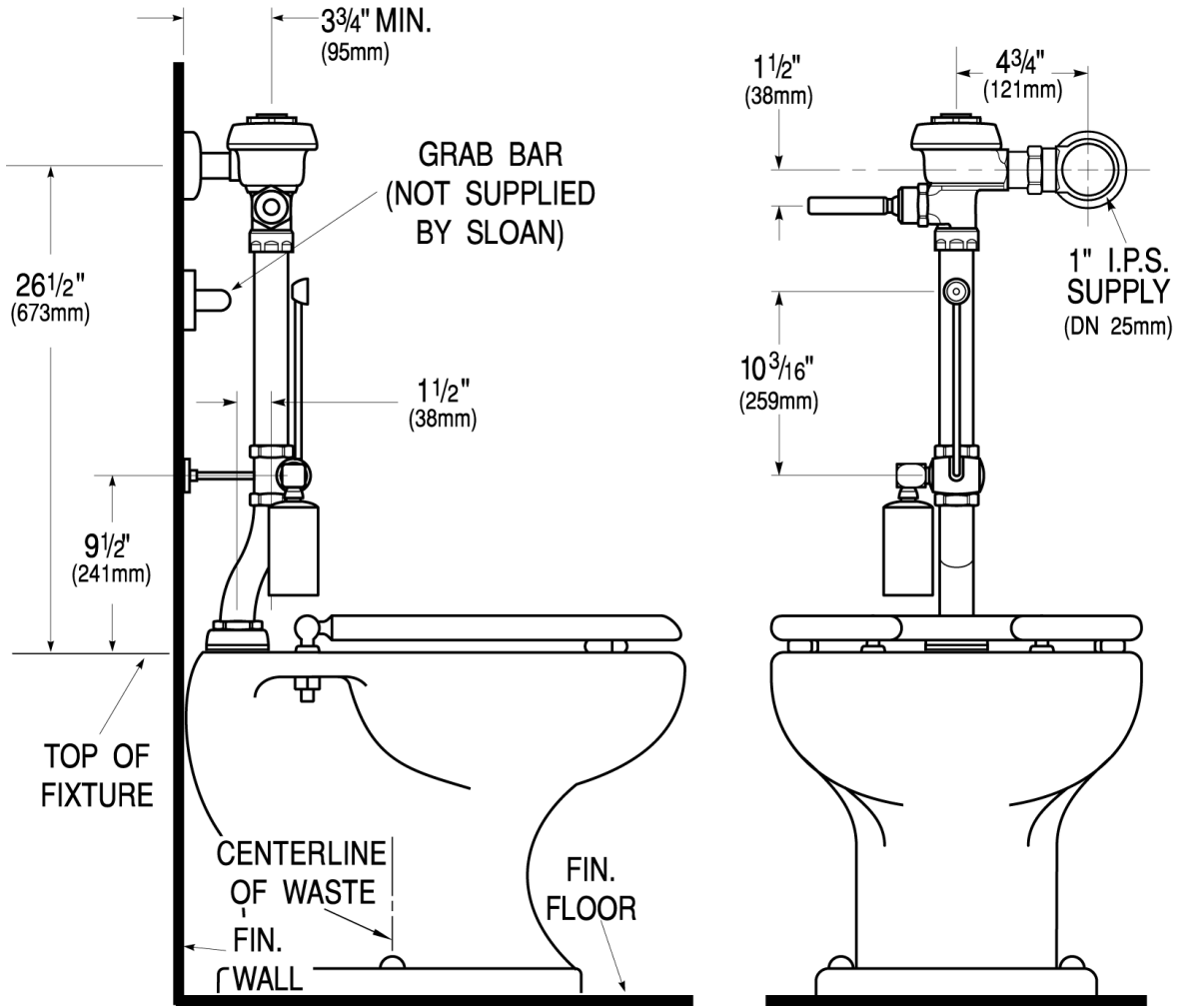
[Find a compatible urinal](#) for this flushometer.

[Find a compatible water closet](#) for this flushometer.

Sloan 10500 Seymour Ave, Franklin Park, IL 60131

Phone: 800.982.5839 • Fax: 800.447.8329 • sloan.com

ROUGH-IN



Sloan 10500 Seymour Ave, Franklin Park, IL 60131
Phone: 800.982.5839 • Fax: 800.447.8329 • sloan.com