

**CODE NUMBER**

3309022

**DESCRIPTION**

Polished Chrome Finish, Fixture Connection Top Spud, Single Flush, Exposed Manual Water Closet Flushometer.

**DETAILS**

- Finish: Polished Chrome (CP)
- Valve Body Material: Semi-red Brass
- Fixture Type: Water Closet
- Fixture Connection: Top Spud

**FEATURES**

- Solid One-piece Body Construction
- Counter Balanced Pivot Assembly
- Solid Brass Spray Arm
- High Back Pressure Vacuum Breaker with One-piece Bottom Hex Coupling Nut
- Wall Support, Spud Coupling and Flange for 1 1/2" Top Spud
- Vacuum Breaker to be molded from PERMEX™ rubber compound for Chloramine resistance
- Diverter Assembly **ONLY**. Does **NOT** include Flushometer

**ROUGH-IN****COMPLIANCES & CERTIFICATIONS**

(ADA Compliant, BAA Compliant)

**DOWNLOADS**

- [Slimline Royal/Regal XL Exposed Installation Instructions](#)
- [Slimline Bedpan Washer Repair and Maintenance Guide](#)
- [Additional Downloads](#)

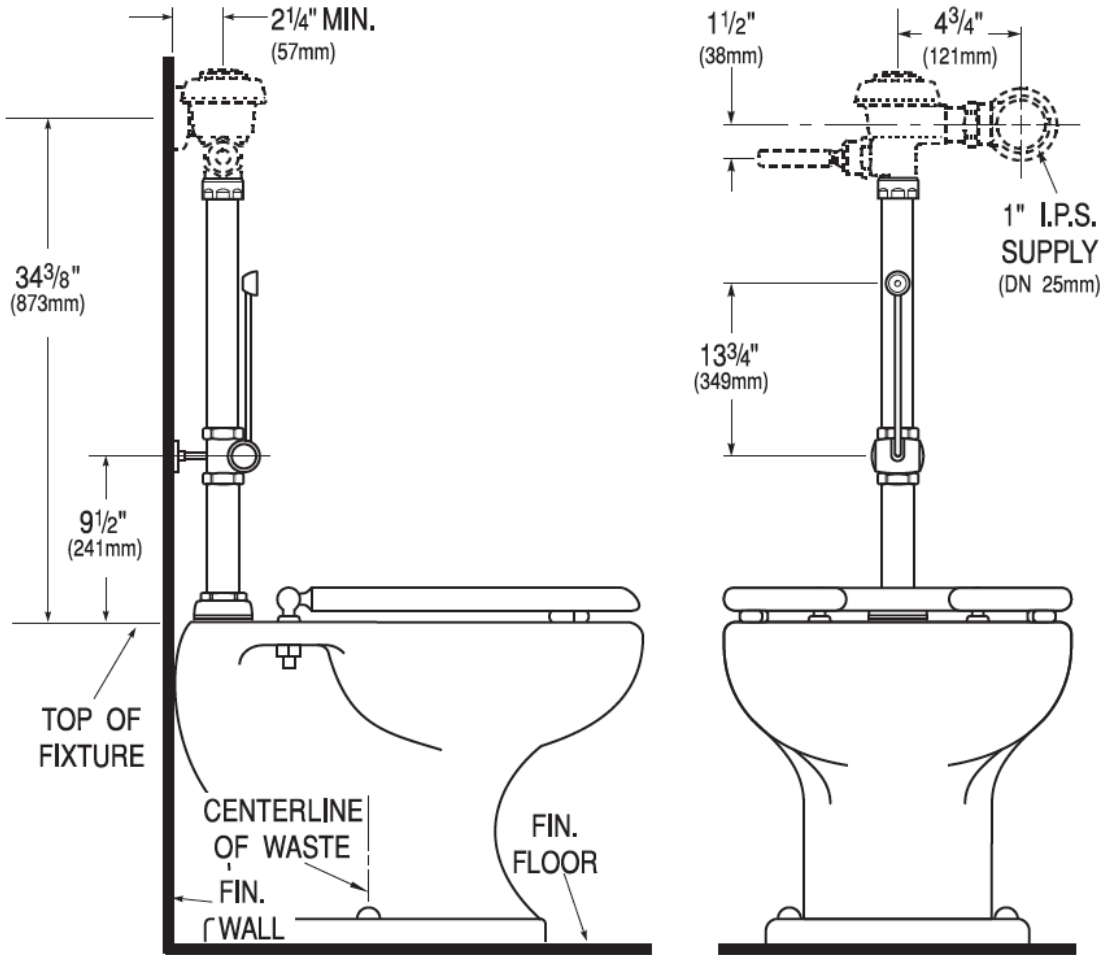
**NOTES**

All information contained within this document subject to change without notice.

Looking for other variations of the DV-100 product? [View the general spec sheet with all options.](#)

[Find a compatible urinal](#) for this flushometer.

[Find a compatible water closet](#) for this flushometer.



Sloan 10500 Seymour Ave, Franklin Park, IL 60131  
 Phone: 800.982.5839 • Fax: 800.447.8329 • [sloan.com](http://sloan.com)