



ENGINEERING EXCELLENCE

Motegi Series #4MT610

SPECIFICATION SHEET

DESCRIPTION

- Two Handle Roman Tub Set
- Metal Lever Handles
- Rigid Bent Nose Spout
- 9-3/8" Reach
- Ceramic Disc Cartridges
- 3-Hole 8" to 16" Installation
- Includes Spout and Valve Escutcheons

FINISHES

- PC PVD Polished Chrome
- BN PVD Brushed Nickel
- SS PVD Stainless Steel
- PN PVD Polished Nickel
- PB PVD Polished Brass



Note:-

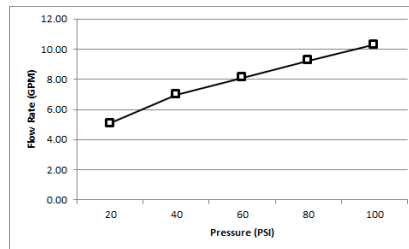
Rough-in valve included.

#4MT610 SHOWN * ADA 

STANDARDS APPLICABLE

- ASME A112.18.1
- ANSI A117.1
- CUPC / IAPMO LISTED / ADA COMPLIANT

4MT610 Flow Rate (GPM) Vs Pressure (PSI)*



Model #: _____

Specific Features: _____

Project Name: _____

Submitted For: _____

*Note:- This information is provided for reference only. Actual Flow Rate may vary depending on installation and inlet pressures.

Model	Description	Finishes
#4MT610	Two Handle Roman Tub Set	<input type="radio"/> PC <input type="radio"/> Other_____



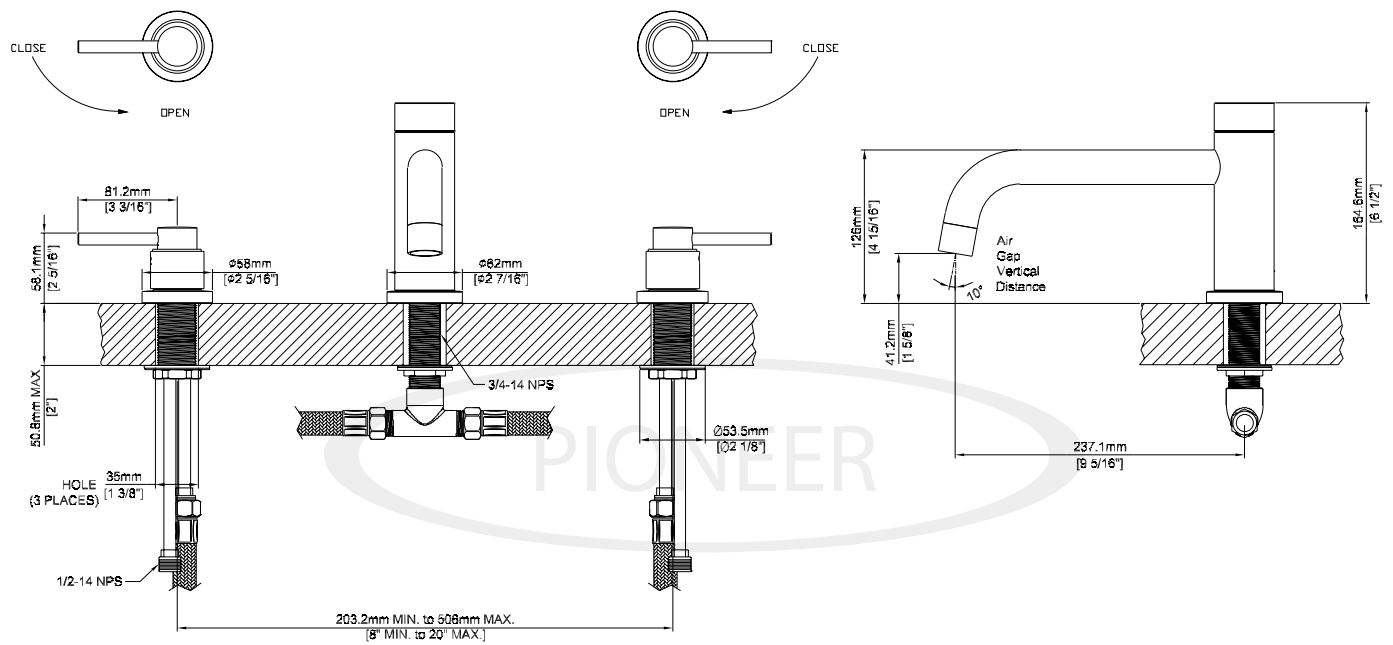
ENGINEERING EXCELLENCE

Pioneer: 1-800-338-9468
Commerce, CA 90040
www.pioneerind.com
Pioneer Industries, Inc. © 2013

DMSP4MT610/REV. 12 2012
Page 1 of 2

Installation Note:

Please refer to Installation Guide For this Product.



Product Diagram



ENGINEERING EXCELLENCE

Pioneer: 1-800-338-9468

Commerce, CA 90040

www.pioneerind.com

Pioneer Industries, Inc. © 2013