



ENGINEERING EXCELLENCE

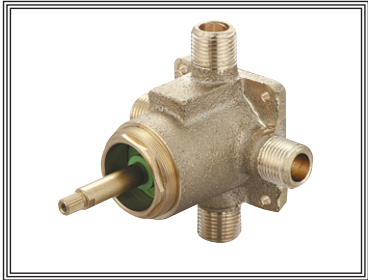
#4100B SPECIFICATION SHEET

DESCRIPTION

- Single Handle Diverter Valve Set
- Combo CXC and IPS Connections
- Three Way Diverter Valve
- Ceramic Disc Cartridge

STANDARDS APPLICABLE

- ASME A112.18.1



#4100B SHOWN

Model #: _____

Specific Features: _____

Project Name: _____

Submitted For: _____

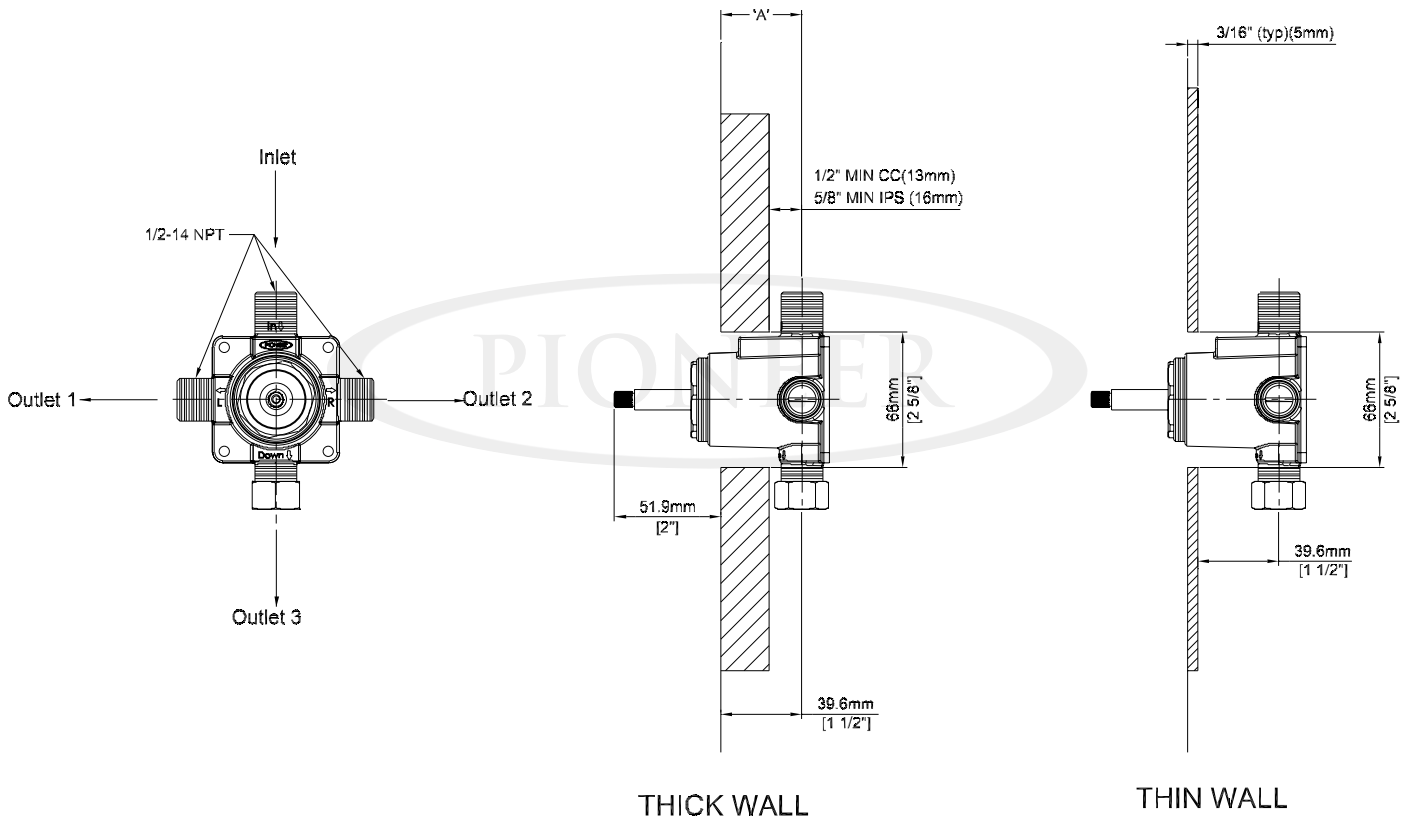
Model	Description	Finishes
#4100B	Single Handle Diverter Valve Set	<input type="checkbox"/> NA



ENGINEERING EXCELLENCE
 Pioneer: 1-800-338-9468
 Commerce, CA 90040
 www.pioneerind.com
 Pioneer Industries, Inc. © 2011

Installation Note:

Series	'A'-Recommended Distance
4MT100T	2-1/8"
4CL100T	1-3/4"



Product Diagram



ENGINEERING EXCELLENCE

Pioneer: 1-800-338-9468
 Commerce, CA 90040
 www.pioneerind.com
 Pioneer Industries, Inc. © 2011