



PIONEER INDUSTRIES, INC.
 3325 S. Garfield Ave.
 Commerce, CA 90040
 (800) 338-9468
 www.pioneerind.com

INSTALLATION

Tools:



Model Number: 3MT160, 3MT161, 3MT161G, 3MT168

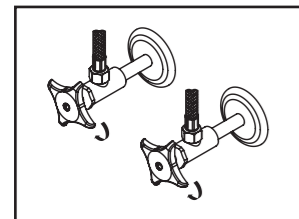


Warnings and Notes:

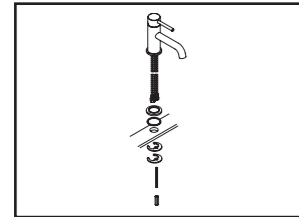
Check with local plumbing code requirements before installation.
 This product should be installed by a local listed plumber.
Do not use plumbers putty on threads.

Installation Steps:

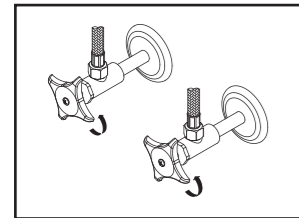
Single Handle Lavatory Faucet



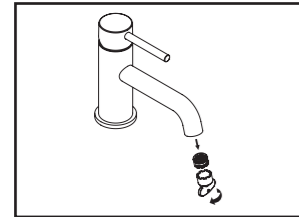
(1) Shut off water supplies. Remove old faucet. Clean mounting surface in preparation for new faucet.



(2) Thread mounting bolt to faucet body. Ensure washer is under escutcheon, slide escutcheon from bottom of the faucet. Insert inlet supply hoses through mounting hole, slide mounting washer and mounting bracket along the mounting bolt from underneath of the sink. Tighten mounting nut to mounting bolt to secure faucet in position.

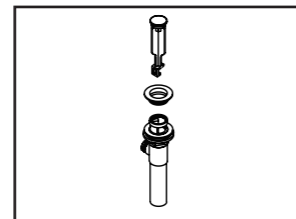


(3) Connect hot and cold inlet supply hoses to supply stops. For 1/2" connection; use 3/8" male to 1/2" female adapter for installation. Adapters are optional and not provided with faucet. Turn on both side supply stops.

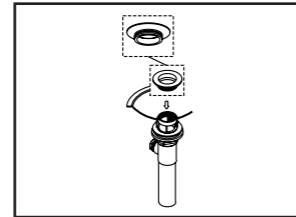


(4) Important: After installation is complete, remove aerator. Turn water supplies on and allow both hot and cold water to run at least one minute each. While water is running, check for leaks. Turn off water and replace aerator.

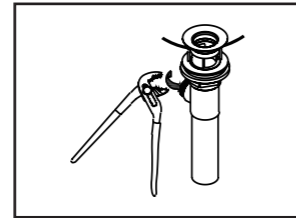
Pop-up Drain Installation:



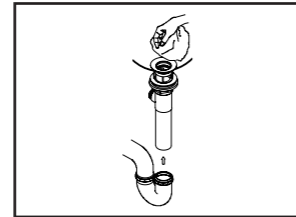
(1) Remove pop-up flange from body



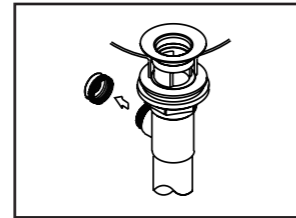
(2) Place a ring of putty on the bottom of flange.



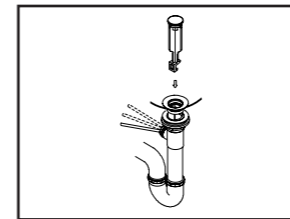
(3) Insert pop-up flange through drain hole and attach flange to body. Ensure the pop-up outlet faces towards the back of the sink. Tighten the locknut securely with a wrench. Do not overtighten.



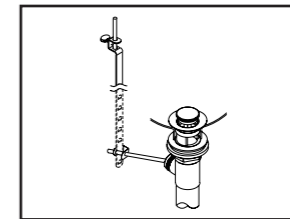
(4) Remove the excess putty. Connect the trap (check manufacturer's instructions for installation)



(5) Remove pivot rod nut from pop-up body, ensure the washers is in place, insert pivot rod, tighten pivot rod nut back to pop-up body.



(6) Push pivot rod down, insert drain plug carefully. Test to ensure drain plug works properly.

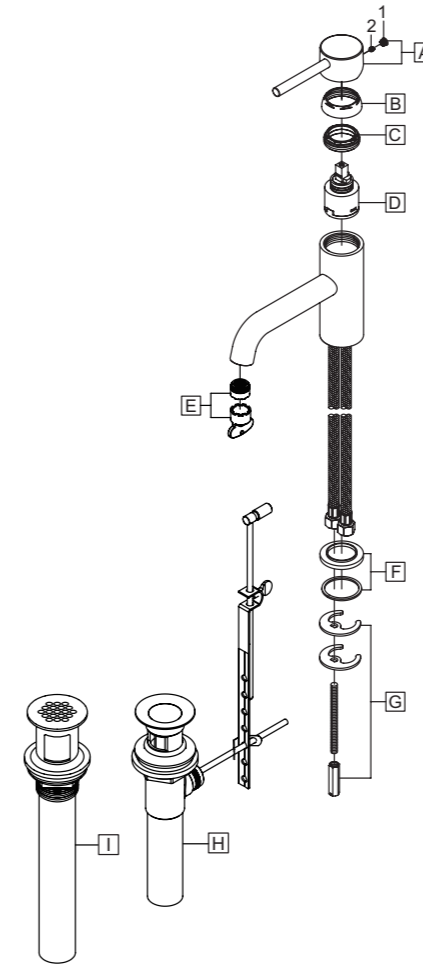


(7) Connect lift rod strap to pivot rod by using clip. Tighten the thumbscrew to connect lift rod strap to pop-up lift rod.

Exploded Drawing (3MT160, 3MT161, 3MT161G):

* Note: Please specify finish/color when ordering.

	ITEM #	DESCRIPTION
A	X-1900008*	Motegi Lever Handle
B	X-4900017*	Cap
C	X-4900018	Locknut
D	X-3900001	Ceramic Disc Cartridge
E	OP-490062	1.2 GPM Aerator
F	X-4300019*	Escutcheon and Washer
G	X-5300012	Mounting Kit
H	X-6300006*	Brass Pop-Up Drain (For 3MT160)
I	X-6300002*	Brass Grid Drain (For 3MT161G)
1	X-4900044*	Hole Cover
2	X-4400024	Allen Screw

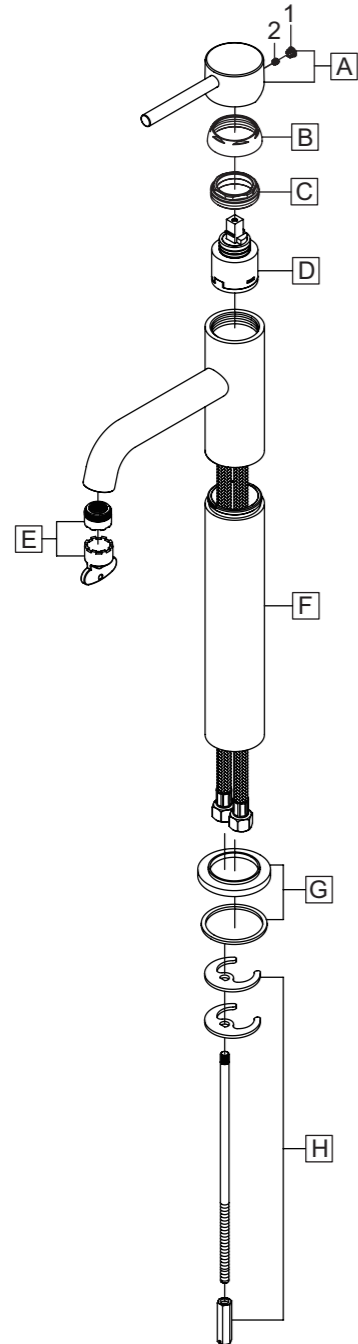


For more care information or trouble shooting inquiries about your Pioneer product, please call:
Pioneer Industries, Inc. (800) 338-9468
 Monday-Friday 8AM to 8PM EST (5AM to 5PM PST)
 www.pioneerind.com

Exploded Drawing (3MT168):

* Note: Please specify finish/color when ordering.

	ITEM #	DESCRIPTION
A	X-1900008*	Motegi Lever Handle
B	X-4900017*	Cap
C	X-4900018	Locknut
D	X-3900001	Ceramic Disc Cartridge
E	OP-490062	1.2 GPM Aerator
F	X-4300022*	8" Extension
G	X-4300019*	Escutcheon and Washer
H	X-5300008	Mounting Kit
1	X-4900044*	Hole Cover
2	X-4400024	Allen Screw



For more care information or trouble shooting inquiries
about your Pioneer product, please call:
Pioneer Industries, Inc. (800) 338-9468
Monday-Friday 8AM to 8PM EST (5AM to 5PM PST)
www.pioneerind.com