

# AZELIA 3636 SHOWER DOOR

## LOT #1



Picture : Lot #1

### PRODUCT DESCRIPTION:

Contemporary style  
 Front and return glass panels  
 6 mm glass (1/4")  
 Door opening 24 3/16"  
 right or left corner installation  
 Offered in chrome/clear

24-48hrs

### BOXES SIZE:

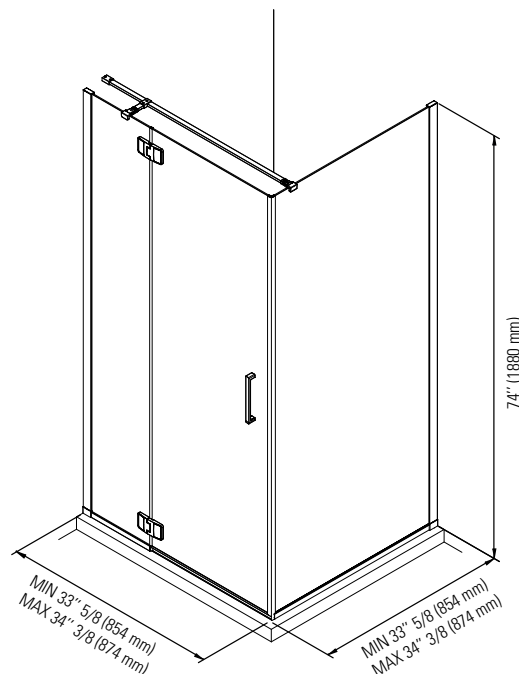
77" x 35" x 3"

### NET WEIGHT:

155 lbs

### GROSS WEIGHT

155 lbs



\* Produits Neptune applies a cutting-edge protective covering, which repels water and dirt for easy cleaning and increases the lifespan of your shower doors.



**Certification ECORESPONSIBLE**  
 First manufacturer of bathroom products in North America to be certified ecoresponsible.



**Produits Neptune**

ENTREPRENEUR

6835, Picard street, Saint-Hyacinthe (Quebec) J2S 1H3  
 Phone: (450) 773-7058 - Fax: (450) 773-5063  
 produitsneptune.com

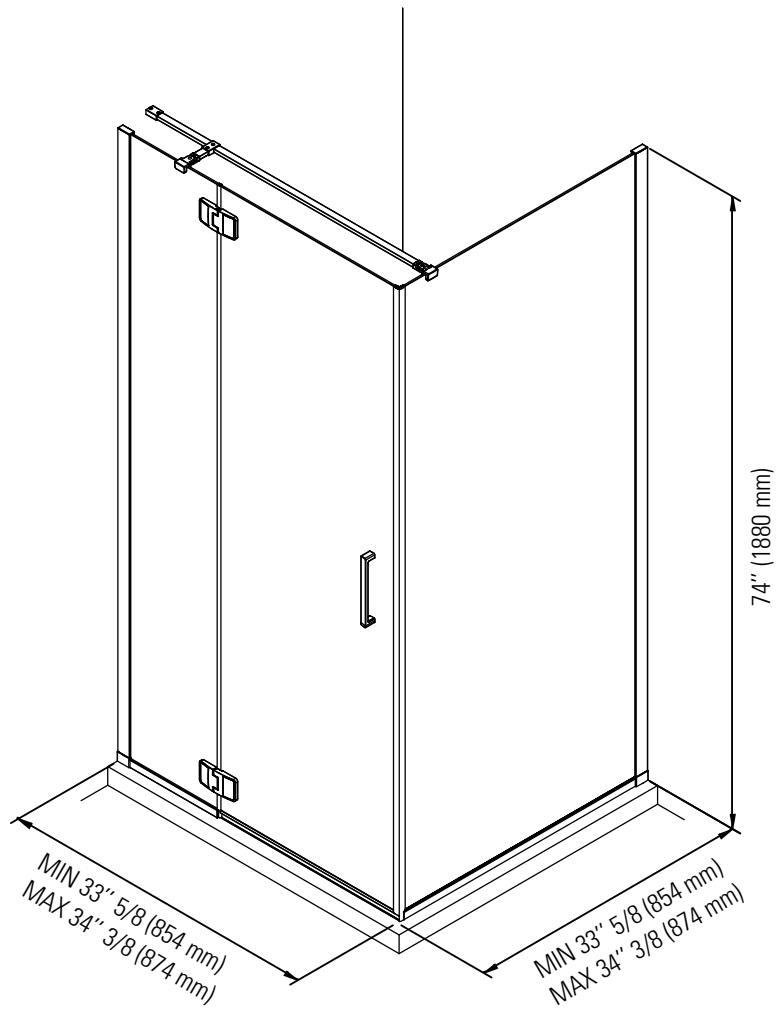
REV: 10-18



Produits Neptune

## AZELIA 3636 - LOT #1

Shower door



\*All dimensions are approximate and subject to change without notice.  
Please refer to the installation guide before beginning the installation.