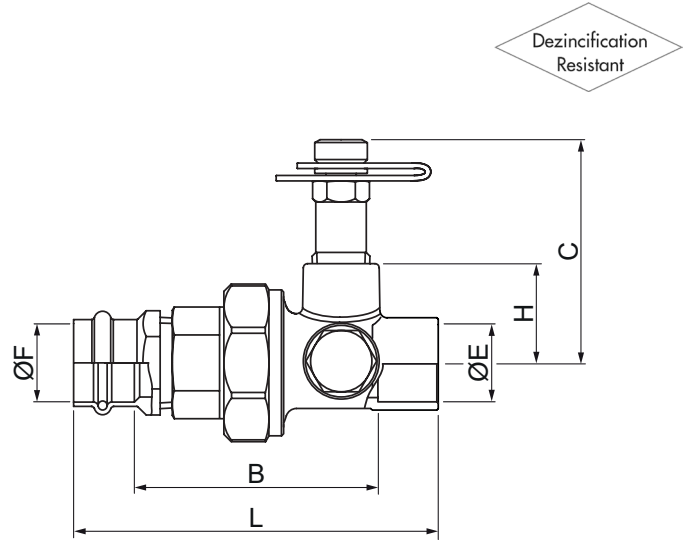


SPC-1800 DZR Brass Union with Test Point

Solder End ASME B16.22 x Press End - 1/2" to 2"

MATERIAL LIST	
PART	SPECIFICATION
Body	Brass - UNS C35330 (DZR)
Union Nut	Brass - UNS C35330 (DZR)
Connector	Brass - UNS C35330 (DZR)
O-ring	EPDM
Test Point	Brass - UNS C35330 (DZR)
Plug (2)	Brass - UNS C35330 (DZR)
Press End	Copper - ASTM B75 C12200
Press End O-ring	EPDM



DIMENSIONS - In.							
Size	L	B	H	C	E	F	Weight Lbs.
1/2"	3.5	3.00	0.85	2.00	0.63	0.63	0.59
3/4"	4.11	3.36	0.98	2.13	0.88	0.88	0.78
1"	4.30	3.40	1.10	2.25	1.13	1.13	1.03
1 1/4"	4.89	3.92	1.22	2.37	1.38	1.38	1.54
1 1/2"	5.55	4.44	1.35	2.50	1.63	1.63	2.07
2"	5.87	4.53	1.59	2.74	2.13	2.13	2.81

200 PSI Non-Shock Cold Working Pressure at 250°F
Maximum Temperature 250°F at 200 PSI

Project: _____

Contractor: _____

PO/Job No.: _____

Engineer: _____

Representative: _____

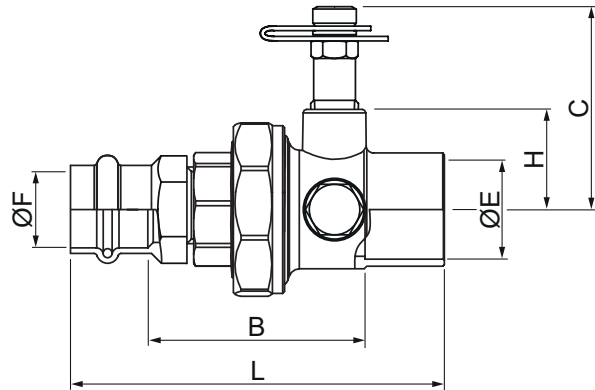
Date: _____

SPC-1800R DZR Brass Union with Test Point

Solder End ASME B16.22 x Press End - 1/2" to 2"



MATERIAL LIST	
PART	SPECIFICATION
Body	Brass - UNS C35330 (DZR)
Union Nut	Brass - UNS C35330 (DZR)
Connector	Brass - UNS C35330 (DZR)
O-ring	EPDM
Test Point	Brass - UNS C35330 (DZR)
Plug (2)	Brass - UNS C35330 (DZR)
Press End	Copper - ASTM B75 C12200
Press End O-ring	EPDM



DIMENSIONS - In.							
Size	L	B	C	H	ØE	ØF	Weight Lbs.
3/4" x 1/2"	3.75	3.25	2.13	0.98	0.88	0.63	0.70
1" x 1/2"	3.91	3.41	2.25	1.10	1.13	0.63	0.89
1" x 3/4"	4.27	3.52	2.25	1.10	1.13	0.88	1.04
1 1/4" x 3/4"	4.39	3.64	2.37	1.22	1.38	0.88	1.30
1 1/4" x 1"	4.47	3.56	2.37	1.22	1.38	1.13	1.37
1 1/2" x 1"	4.67	3.76	2.50	1.35	1.66	1.13	1.70
1 1/2" x 1 1/4"	5.09	4.12	2.50	1.35	1.66	1.38	1.87
2" x 1 1/4"	5.32	4.36	2.74	1.59	2.13	1.38	2.50
2" x 1 1/2"	5.82	4.72	2.74	1.59	2.13	1.66	2.70

200 PSI Non-Shock Cold Working Pressure at 250°F
Maximum Temperature 250°F at 200 PSI

Project: _____

Contractor: _____

PO/Job No.: _____

Engineer: _____

Representative: _____

Date: _____