

232 psi (16 Bar) Ductile Iron Butterfly Valves

Install between Standard ASME Class 125/150 Flanges • Molded-in Seat Liner •
Double flanged U section • Epoxy Coated • 16 Bar Bi-directional Dead End without Downstream Flange

Size: 14" to 24"

232 psi (16 Bar) EPDM Seat for 32°F to 212°F (0°C to 100°C)

**LD7080-5 Series
14" - 24"**

FACE-TO-FACE TO MSS SP-67 (W-2) •
ASME B16.10 (WIDE)

MATERIAL LIST

PART	SPECIFICATION
1. End Cap Cover	Ductile Iron ASTM A536 65-45-12
2. Screw (2)	Steel
3. O-ring	Nitrile ASTM D2000
4. Bushing Short (2)	Bronze ASTM B584 C83600
5. O-ring	Nitrile ASTM D2000
6. Stem	Stainless Steel ASTM A276 S42000 Stainless Steel ASTM A564 S63000
7. Disc	Ductile Iron A536 65-45-12 Nylon 11 Coated Stainless Steel ASTM A276 S43100
8. Taper Pin (2)	Stainless Steel ASTM A276 S42000 Stainless Steel ASTM A564 S63000
9. Seat	EPDM ASTM D2000
10. Bushing Long (2)	Bronze ASTM B584 C83600
11. Body	Ductile Iron ASTM A536 65-45-12
12. Stud (2)	Steel
13. Nut (2)	Steel
14. Packing Ring	Bronze ASTM B584 C83600
15. V-Cup Packing (2)	Nitrile ASTM D2000
16. Upper Packing	Nitrile ASTM D2000
17. Packing Gland	Ductile Iron ASTM A536 65-45-12
18. Key	Steel



PRESSURE TESTING

Shell 24 Bar
Seat 17.6 Bar

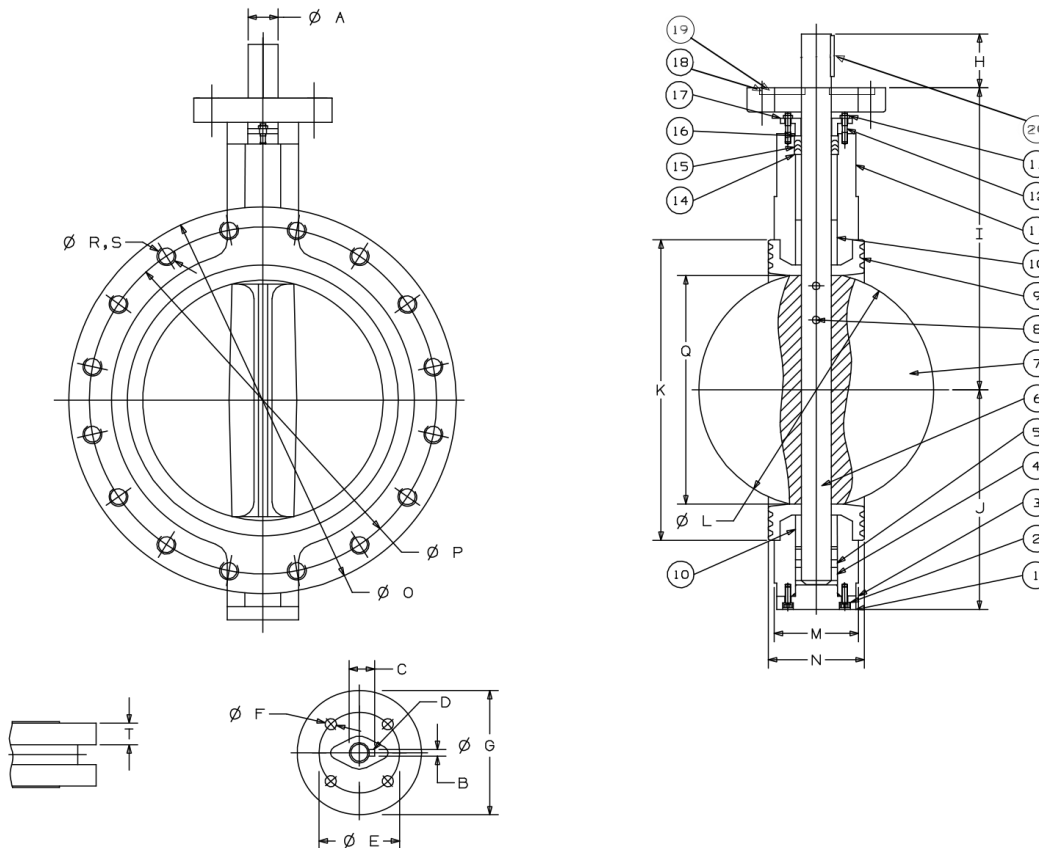
MATERIAL BY FIGURE NUMBER

FIGURE NUMBER	SEAT	DISC	STEM	TAPER PIN
LD7080	EPDM	Ductile Iron with Nylon	420 SST	431 SST

Visit our website for the most current information.

232 psi (16 Bar) Ductile Iron Butterfly Valves (continued)

Size: 14" to 24" LD7080-5



DIMENSIONS - WEIGHTS

VALVE SIZE		ΦA		B		C		D (KEY)		ΦE		ΦF		G		H		I		J		ΦK	
inch	mm	inch	mm	inch	mm	inch	mm	inch	mm	inch	mm	inch	mm	inch	mm	inch	mm	inch	mm	inch	mm	inch	mm
14"	350	1.687	42.86	0.472	12	1.81	45.86	.487 X .315 X 1.61	12 X 8 X 40	4.02	102	0.47	12	5.51	140	1.81	46	15.67	398	11.30	287	16.50	419
16"	400	1.993	50.62	0.630	16	2.15	54.62	.630 X .394 X 2.75	16 X 10 X 70	5.51	140	0.71	18	7.76	197	2.99	76	16.97	431	13.74	349	18.90	480
18"	450	2.125	53.98	0.630	16	2.28	57.98	.630 X .394 X 2.75	16 X 10 X 70	5.51	140	0.71	18	7.76	197	2.99	76	17.83	453	14.45	367	20.67	525
20"	500	2.494	63.35	0.709	18	2.65	67.35	.709 X .433 X 3.15	18 X 11 X 80	5.51	140	0.71	18	7.76	197	3.39	86	18.90	480	15.91	404	22.05	560
24"	600	2.756	70.00	0.787	20	2.93	74.50	.784 X .472 X 3.15	20 X 12 X 80	6.50	165	0.87	22	10.87	276	3.39	86	22.13	562	18.15	461	26.57	675

VALVE SIZE		L		M		N		O		P		Q		R QTY	U THREADS	T		GEAR MOUNT	WEIGHT	
inch	mm	inch	mm	inch	mm	inch	mm	inch	mm	inch	mm	inch	mm			inch	mm		lbs	kg
14"	350	13.15	334.0	3.62	92	3.94	100	20.98	533	18.75	476.3	12.87	327	24	1"-8 UNC	1.18	30	F10	220 lbs	100 Kg
16"	400	15.36	390.1	4.02	102	4.33	110	23.50	597	21.25	539.8	15.08	383	32	1"-8 UNC	1.26	32	F14	288 lbs	131 Kg
18"	450	17.37	441.1	4.49	114	4.80	122	25.00	635	22.75	577.9	17.01	432	32	1 1/8" - 7 UNC	1.38	35	F14	354 lbs	161 Kg
20"	500	19.37	492.1	5.00	127	5.31	135	27.52	699	25.00	635.0	18.98	482	40	1 1/8" - 7 UNC	1.57	40	F14	471 lbs	214 Kg
24"	600	23.34	592.8	6.06	154	6.38	162	32.01	813	29.50	749.3	23.03	585	40	1 1/4" - 7 UNC	1.77	45	F16	653 lbs	297 Kg

Note: Not recommended for steam service.

Visit our website for the most current information.

232 psi (16 Bar) Ductile Iron Butterfly Valves

Doubled Flange U-Section • Install between Standard ASME Class 125/150 Flanges •
Molded-in Seat Liner • Epoxy Coated • 16 Bar Bi-directional Dead End without Downstream Flange

Size 30" to 48"

232 psi (16 Bar) EPDM Seat from 32°F to 212°F (0°C to 100°C)

**LD7080 Series
30" - 48"**

FACE TO FACE TO MSS SP-67(W-2)

MATERIAL LIST

PART	SPECIFICATION
1. Screw	Steel
2. Nut	Steel
3. Washer	Steel
4. Screw (4)	Steel
5. Washer (4)	Spring Steel
6. End Cap Cover	Ductile Iron A536 65-45-12
7. O-ring	Nitrile ASTM D2000
8. O-ring	Nitrile ASTM D2000
9. Roll Pin	Steel
10. Spacer (2)	Steel
11. Thrust Bearing	Steel
12. Bushing Short (4)	Bronze ASTM B584 C83600
13. O-ring (2)	Nitrile ASTM D2000
14. Stem Lower	Stainless Steel ASTM A276 S42000 Stainless Steel ASTM A564 S63000
15. Bushing Middle	Bronze ASTM B584 C83600
16. Taper Pin (3)	Stainless Steel ASTM A276 S42000 Stainless Steel ASTM A276 S43100 Stainless Steel ASTM A564 S63000
17. Stem Upper	Stainless Steel ASTM A276 S42000 Stainless Steel ASTM A564 S63000
18. Disc	DI ASTM A536 Nylon Coated
19. Seat	EPDM ASTM D2000 (LD7080)
20. Bushing Long	Bronze ASTM B584 C83600
21. Body	Ductile Iron A536 65-45-12
22. I.D. Plate	Aluminim
23. Rivet (2)	Aluminim
24. Key (2)	Steel
25. Screw (8)	Steel
26. Washer (8)	Spring Steel
27. Nut (8)	Steel
28. Top Connection Spt	Ductile Iron A536 65-45-12
29. Packing Ring	Bronze ASTM B584 C83600
30. V-cup Packing (4)	Nitrile ASTM D2000
31. Upper Packing	Nitrile ASTM D2000
32. Packing Gland	Ductile Iron A536 65-45-12
33. Stud (2)	Steel
34. Nut (2)	Steel

Note: Not recommended for steam service.

MATERIAL BY FIGURE NUMBER

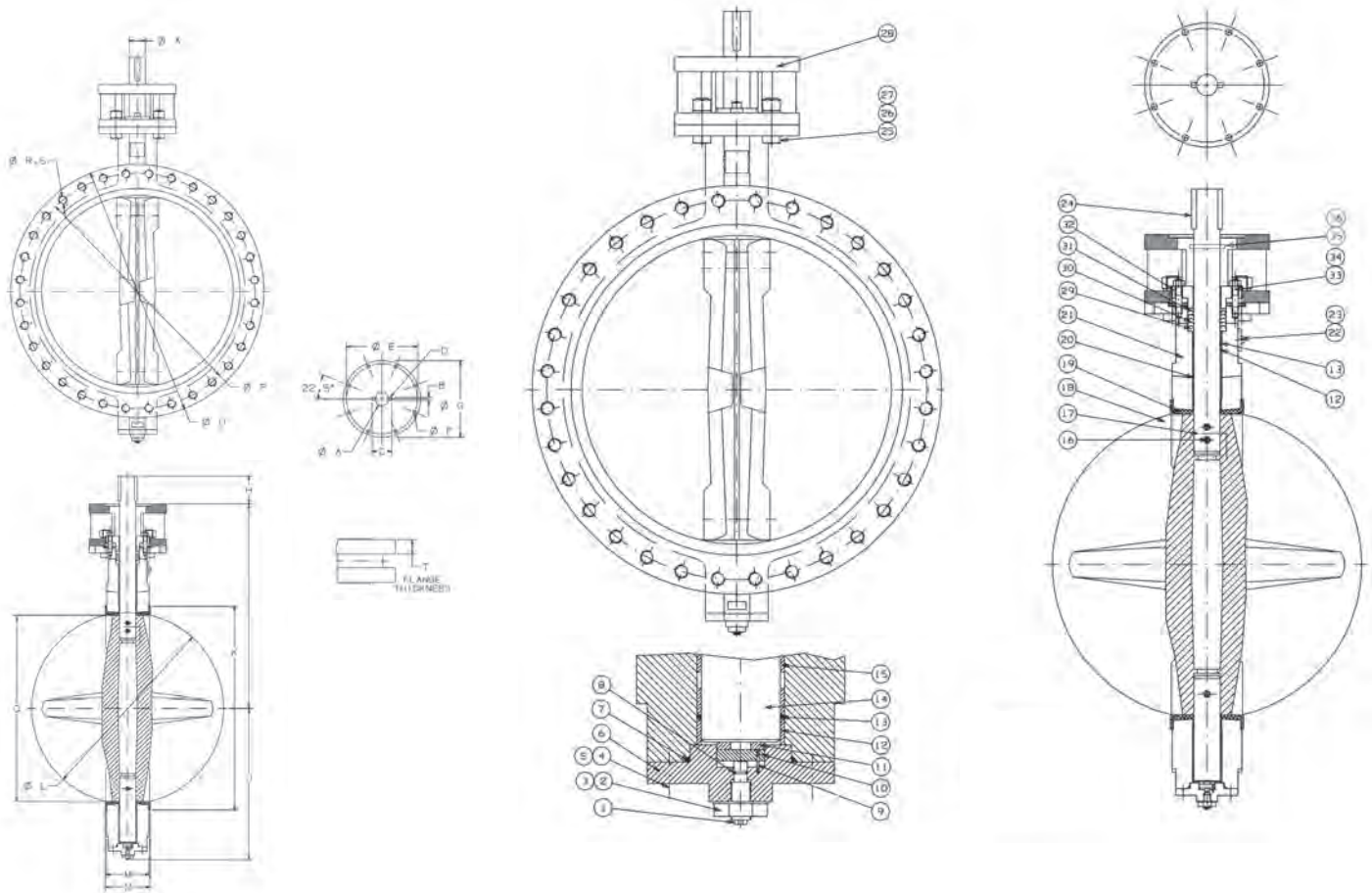
FIGURE NUMBER	SEAT	DISC	STEM	TAPER PIN
LD7080	EPDM	Ductile Iron with Nylon	420 SST	431 SST

Visit our website for the most current information.



232 psi (16 Bar) Ductile Iron Butterfly Valves (continued)

Size 30" to 48"



DIMENSIONS - WEIGHTS

VALVE SIZE	ΦA		B		C		D (2 KEYS)		ΦE		ΦF		ΦG		H		I	J		K			
inch	mm	inch	mm	inch	mm	inch	mm	inch	mm	inch	mm	inch	mm	inch	mm	inch	mm	inch	mm	inch	mm		
30"	750	2.953	75	0.787	20	3.31	84	.787 X .472 X 2.50	20 X 12 X 63	11.73	298	0.87	22	13.78	350	2.60	66	33.31	846	24.33	618	32.28	820
32"	800	3.150	80	0.866	22	3.54	90	.866 X .551 X 2.75	22 X 14 X 70	11.73	298	0.87	22	13.78	350	3.23	82	33.78	858	25.79	655	35.43	900
36"	900	3.543	90	0.984	25	3.94	100	.984 X .551 X 4.00	25 X 14 X 100	11.73	298	0.87	22	13.78	350	4.65	118	35.67	906	29.25	743	38.27	972
42"	1050	4.134	105	1.102	28	4.61	117	1.102 X .630 X 5.50	28 X 16 X 140	14.02	356	1.30	33	16.34	415	5.91	150	41.10	1044	34.02	864	46.46	1180
48"	1200	4.724	120	1.260	32	5.28	134	1.260 X .709 X 5.50	32 X 18 X 140	14.02	356	1.30	33	16.34	415	5.91	150	44.37	1127	37.44	951	53.07	1348

VALVE SIZE	ΦL		M		N		O		P		Q		R QTY	U THREADS	T		GEAR MOUNT	WEIGHT		
inch	mm	inch	mm	inch	mm	inch	mm	inch	mm	inch	mm	inch	mm	inch	mm		lbs	kg		
30"	750	29.33	745	6.57	167	7.09	180	38.74	984	36.00	914.4	29.09	739	56	1 1/4" - 7 UNC	2.13	54	F30	1109 lbs	504 Kg
32"	800	31.30	795	7.40	188	7.68	195	41.73	1060	38.50	977.9	30.91	785	56	1 1/2" - 6 UNC	2.13	54	F30	1300 lbs	591 Kg
36"	900	34.06	865	7.99	203	8.31	211	45.98	1168	42.75	1085.9	33.62	854	64	1 1/2" - 6 UNC	2.40	61	F30	1762 lbs	801 Kg
42"	1050	40.59	1031	9.88	251	10.28	261	52.99	1346	49.50	1257.3	39.88	1013	72	1 1/2" - 6 UNC	2.60	66	F35	2746 lbs	1248 Kg
48"	1200	45.67	1160	10.87	276	11.26	286	59.49	1511	56.00	1422.4	44.84	1139	88	1 1/2" - 6 UNC	2.76	70	F35	3498 lbs	1590 Kg

Visit our website for the most current information.

232 psi (16 Bar) Ductile Iron Butterfly Valves

Double Flanged U-Section • Install between Standard ASME Class 125/150 Flanges • Replaceable Seat (Single Offset) • Epoxy Coated • 16 Bar Dead End without Downstream Flange in One Direction

Size: 52", 54" and 60"

232 psi (16 Bar) EPDM Seat from 32°F to 212°F (0°C to 100°C)

**LD7080 Series
52" - 60"**

FACE-TO-FACE TO AWWA C504 (SHORT BODY)

MATERIAL LIST

PART	SPECIFICATION
1. Retaining Seal Cover	Steel
2. Adjusting Screw	Stainless Steel
3. Nut	Steel
4. Screw (4)	Steel
5. O-ring	Nitrile ASTM D2000
6. Screw (4)	Stainless Steel
7. Washer (4)	Spring Steel
8. End Cap Cover	Ductile Iron ASTM A536 65-45-12
9. O-ring	Nitrile ASTM D2000
10. O-ring	Nitrile ASTM D2000
11. Stop Shim	
12. Spacer Collar	Stainless Steel ASTM A276 42000
13. Bushing	Bronze ASTM B584 C83600
14. Seat	EPDM ASTM D2000
15. Seat Retainer	Ductile Iron ASTM A536 65-45-12
16. Retaining Screw (40)	Stainless Steel
17. Stop Set Screw (20)	Stainless Steel
18. Lock Washer(40)	Stainless Steel
19. Lower Stem	Stainless Steel ASTM A276 42000 Stainless Steel ASTM A564 S63000
20. Disc	Ductile Iron ASTM A536 65-45-12 Nylon 11 Coated
21. Taper Pin (3)	Stainless Steel ASTM A276 UNS S42000 Stainless Steel ASTM A564 S63000
22. Upper Stem	Stainless Steel ASTM A276 S42000 Stainless Steel ASTM A564 S63000
23. Body	Ductile Iron ASTM A536 65-45-12
24. Upper Bushing	Bronze ASTM B584 C83600
25. Packing Ring	Stainless Steel ASTM A276 S32100
26. V-cup Packing (5)	Nitrile ASTM D2000
27. Upper Packing	Nitrile ASTM D2000
28. Packing Gland	Ductile Iron ASTM A536 65-45-12
29. Stud (2)	Steel
30. Nut (2)	Steel
31. Screw (8)	Steel
32. Washer (8)	Spring Steel
33. Nut (8)	Steel
34. Top Connection Support	Ductile Iron ASTM A536 65-45-12
35. Screw (8)	Steel (for gear operator)

MATERIAL LIST (CONTINUED)

PART	SPECIFICATION
36. Washer (8)	Spring Steel (for gear operator)
37. Key (2)	1045 Steel
38. Columanar Pin	1045 Steel
39. I.D. Plate Rivet (2)	Aluminum
40. I.D. Plate	Aluminum
41. Foundation Mount Support (2)	Steel
42. Bolt (4)	Steel
43. Washer (4)	Spring Steel
44. Nut (4)	Steel

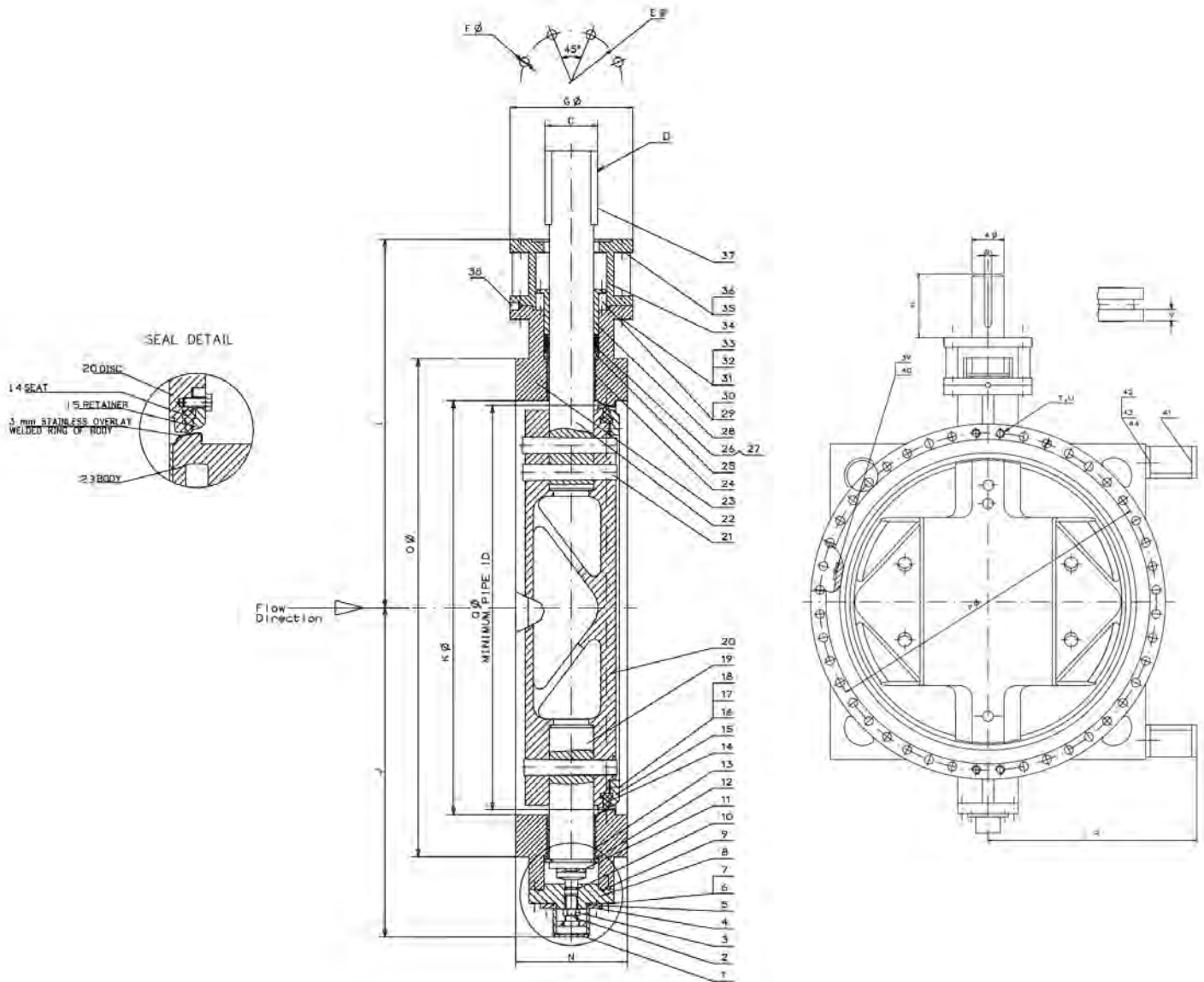
MATERIAL BY FIGURE NUMBER

FIGURE NUMBER	SEAT	DISC	STEM	TAPER PIN
LD7080	EPDM	Ductile Iron with Nylon	420 SST	420 SST

Visit our website for the most current information.

232 psi (16 Bar) Ductile Iron Butterfly Valves (continued)

Size: 52", 54" and 60"



DIMENSIONS - WEIGHTS

VALVE SIZE	ΦA		B		C		D (2 KEYS)		ΦE		ΦF		ΦG		H		I		J		ΦK		
inch	mm	inch	mm	inch	mm	inch	mm	inch	mm	inch	mm	inch	mm	inch	mm	inch	mm	inch	mm	inch	mm	inch	mm
52"	1300	5.500	140	1.417	36	6.14	156	1.417 X .787 X 8.66	36 X 20 X 220	14.02	356	1.30	33	16.34	415	9.13	232	48.03	1220	42.91	1090	52.0	1321
54"	1350	5.750	146	1.417	36	6.38	162	1.417 X .787 X 8.66	36 X 20 X 220	14.02	356	1.30	33	16.34	415	9.13	232	49.02	1245	43.90	1115	54.0	1372
60"	1500	6.250	159	1.575	40	6.97	177	1.575 X .866 X 8.66	40 X 22 X 220	15.98	406	1.54	39	18.70	475	9.13	232	52.36	1330	47.64	1210	60.0	1524

VALVE SIZE	N		ΦO		ΦP		ΦQ		R		T QTY	U THREADS	V		GEAR MOUNT	WEIGHT		
inch	mm	inch	mm	inch	mm	inch	mm	inch	mm	inch	mm	inch	mm		lbs	kg		
52"	1300	15.00	381	64.02	1626	60.50	1537	48.62	1235	36.61	930	88	1 3/4" - 5 UNC	2.76	70	F35	5000 lbs	2272 kgs
54"	1350	15.00	381	66.26	1683	62.75	1594	50.67	1287	37.80	960	88	1 3/4" - 5 UNC	2.76	70	F35	5400 lbs	2455 kgs
60"	1500	15.00	381	72.99	1854	69.25	1759	54.92	1395	39.76	1010	104	1 3/4" - 5 UNC	2.76	70	F40	6800 lbs	3090 kgs

Visit our website for the most current information.