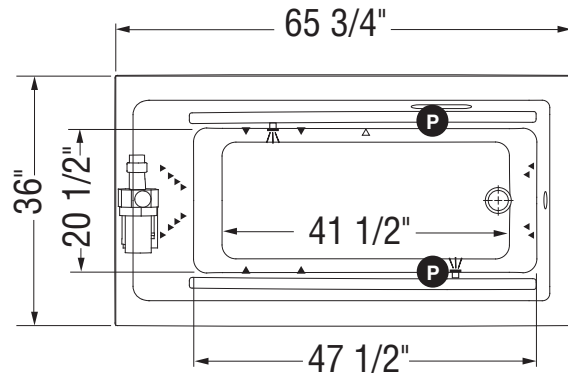
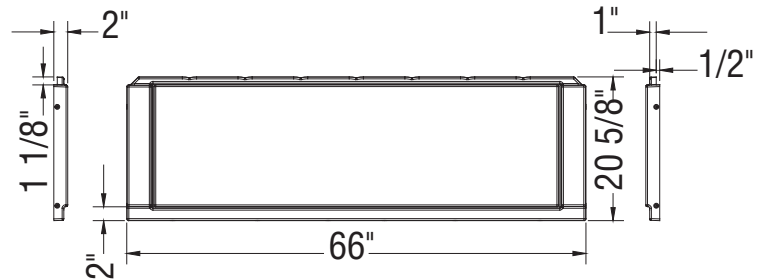
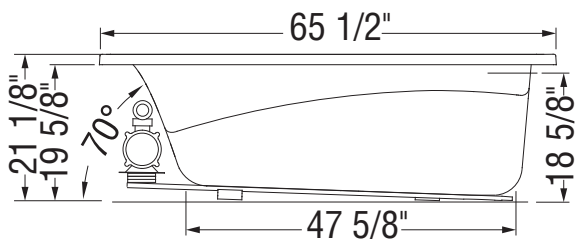
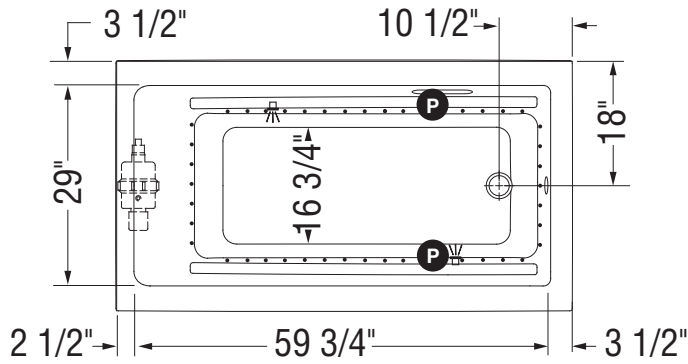


WHIRLPOOL SYSTEM



AIR SYSTEM



- ( P ): Indicates optional grab bar positioning
  - ( ▲ ): Indicates whirlpool jets positioning
  - ( △ ): Indicates suction positioning
  - ( ● ): Indicates airjets positioning
  - ( ☼ ): Indicates chromatherapy light positioning
- Bathtub base includes anti-vibration Neutra-Phone leg supports (not shown).
- All dimensions are approximate. Structure measurements must be verified against the unit to ensure proper fit.**