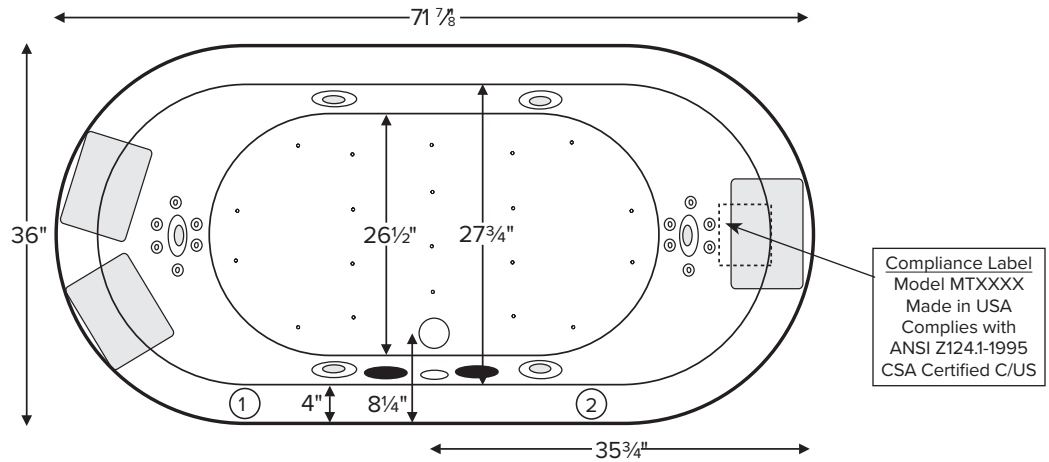


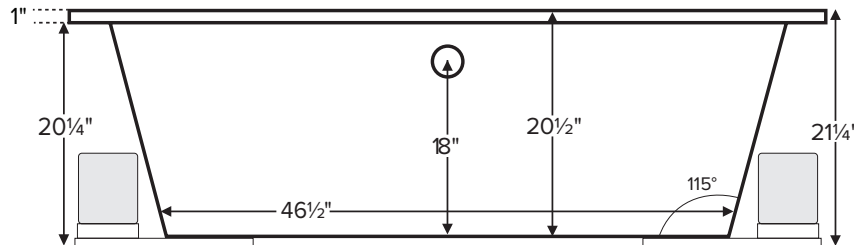
New Yorker 5



| | | |
|--|-----------|-------------------|
| MODEL 111 | | |
| 71.875" x 36" x 21.25" | | |
| DROP-IN or UNDERMOUNT <i>Not recommended as a tub/shower combination</i> 102 gal to overflow | | |
| Acrylic CXL® | | DoloMatte® |
| 110 lbs / 50 kg | <SOAKER> | 124 lbs / 56 kg |
| 133 lbs / 60 kg | <PLUMBED> | 147 lbs / 67 kg |
| Filling this tub to the maximum may require an above average size or dedicated water heater. | | |



Numbered areas on tub deck represent possible locations to install cleaning systems, faucets and other fixtures. When Fill-Flush is ordered and location 2 is chosen, the detergent feeder will need to be offset to the left or the right. Shown with Air Massage and Ultra Whirlpool Package.



IMPORTANT: Air baths and tubs with a pre-leveled foam base or frame system add 2-3" to overall tub height.

IMPORTANT ORDERING & INSTALLATION INFORMATION

- Before ordering or installing, please consider future access to equipment.
- Add proper bedding compound to fully level and support bottom of tub.
- When equipped with an air bath package, pre-leveled foam base or frame system, overall tub height is increased by approx. 2-3" and is designed to install on a flat, level subfloor.
- Radiance placed on airbath floor will affect placement of air jets.
- System components may extend beyond the perimeter of deck.
- Please measure tub **on-site** before building tub decking.
- Advise MTI when planning to use a glass enclosure. Relocation of controls may be necessary.
- Suction and control locations may vary.
- All tubs are compliant with ASTM C 1028-07 coefficient of friction. DoloMatte meets ANSI A137.1/ A326.3 coefficient of friction and AS HB198:2014 slip tests.

ELECTRICAL COMPONENTS & SPECIFICATIONS

| Hydrotherapy Package | Components Included | GFCI / 110V |
|---|---|-------------|
| Standard Whirlpool | 2-bhp pump | 1-15 amp |
| Stream Bath | 1/2-bhp, ozone | 1-20 amp |
| Microbubbles | Microbubbles pump | 1-15 amp |
| Ultra Whirlpool | 2-bhp pump x 2, inline heater, ozone | 2-20 amp |
| Air Massage | heated blower | 1-15 amp |
| Air Massage Elite | heated blower, chromatherapy | 1-15 amp |
| Air Massage w/ Stream Bath | 1/2-bhp pump, heated blower, ozone | 1-20 amp |
| Air Massage Elite w/ Stream Bath | 1/2-bhp pump, heated blower, chromatherapy, ozone | 1-20 amp |

Electrical requirements may change with the addition of optional therapy components. See specific option details or installation information. CSA Certified C/US; B45.5/IAPMO ANSI Z124.1 and ANSI 112.19.7

| Hydrotherapy Package | Components Included | GFCI / 110V |
|---------------------------------------|--|-------------|
| Microbubbles with Air | Microbubbles pump, heated blower | 1-20 amp |
| Microbubbles with Air Elite | Microbubbles pump, heated blower, chromatherapy | 2-15 amp |
| Air with Whirlpool | 2-bhp pump, heated blower | 2-15 amp |
| Air with Ultra Whirlpool | 2-bhp pump x 2, inline heater, heated blower, ozone | 2-20 amp |
| Air Elite with Whirlpool | 2-bhp pump, heated blower, chromatherapy | 2-15 amp |
| Air Elite with Ultra Whirlpool | 2-bhp pump x 2, inline heater, heated blower, chromatherapy, ozone | 2-20 amp |

See the Installation & Operation Manual for more details. MTI's Customer Service Monday-Friday 8am-6pm EST 800-783-8827 or service@mtibaths.com

- Before discarding tub crate, check for accessories that may be packaged inside.
- All product measurements are ±1/2".
- Specifications and configurations are subject to change without notice.
- Measurements herein supersede all others published prior to publication date below.



- Aromatherapy is eliminated for undermount applications
- Air Baths, Pre-Leveled Foam Base or Frame Systems increase overall height by 2-3".

New Yorker 5
 MODEL 111
 71.875" x 36" x 21.25"

| Hydrotherapy Packages | Package Contents | Acrylic CXL® | | DoloMatte® | |
|---|--|--------------|----------|---------------|----------|
| | | Part # | MSRP | Part # | MSRP |
| Soaker | Soaking bath - no jets | S111-DI | \$2,865 | S111DM-DI | \$3,405 |
| | | S111-UM | | S111DM-UM | |
| Stream Bath | 6 side vents, 2 end vents, 1/2 bhp pump, Ozone | SM111-DI | \$5,155 | SM111DM-DI | \$5,695 |
| | | SM111-UM | | SM111DM-UM | |
| Microbubbles | 1 microbubbles infusion port and pump | M111-DI | \$5,855 | M111DM-DI | \$6,395 |
| | | M111-UM | | M111DM-UM | |
| Air Massage | 20 air jets, heated air blower, Aromatherapy, pre-leveled foam base | AST111-DI | \$6,150 | AST111DM-DI | \$6,690 |
| | | AST111-UM | | AST111DM-UM | |
| Air Massage Elite | 30 air jets, heated air blower, Aromatherapy, Chromatherapy LED lighting, Spa Mode, pre-leveled foam base | AE111-DI | \$7,860 | AE111DM-DI | \$8,400 |
| | | AE111-UM | | AE111DM-UM | |
| Stream Bath with Air Massage | 6 side vents, 2 end vents, 1/2 bhp pump, Ozone, 20 air jets, heated air blower, Aromatherapy, pre-leveled foam base | ASTSM111-DI | \$7,990 | ASTSM111DM-DI | \$8,530 |
| | | ASTSM111-UM | | ASTSM111DM-UM | |
| Stream Bath with Air Massage Elite | 6 side vents, 2 end vents, 1/2 bhp pump, Ozone, 30 air jets, heated air blower, Aromatherapy, Chromatherapy LED lighting, Spa Mode, pre-leveled foam base | AESM111-DI | \$9,880 | AESM111DM-DI | \$10,420 |
| | | AESM111-UM | | AESM111DM-UM | |
| Microbubbles with Air Massage | 1 microbubbles infusion port and pump, 20 air jets, heated air blower, Aromatherapy, pre-leveled foam base | ASTM111-DI | \$8,600 | ASTM111DM-DI | \$9,140 |
| | | ASTM111-UM | | ASTM111DM-UM | |
| Microbubbles with Air Massage Elite | 1 microbubbles infusion port and pump, 30 air jets, heated air blower, Aromatherapy, Chromatherapy LED lighting, Spa Mode, pre-leveled foam base | AEM111-DI | \$10,220 | AEM111DM-DI | \$10,760 |
| | | AEM111-UM | | AEM111DM-UM | |
| Standard Whirlpool | 6 point-massage jets, 2-bhp pump | P111-DI | \$4,995 | P111DM-DI | \$5,535 |
| | | P111-UM | | P111DM-UM | |
| Ultra Whirlpool | 6 point-massage jets, 12 micro-jets with Tsubo massage, 2 2-bhp pumps, inline heater, Ozone | P111U-DI | \$6,790 | P111UDM-DI | \$7,330 |
| | | P111U-UM | | P111UDM-UM | |
| Air Massage with Standard Whirlpool | 6 point-massage jets, 2-bhp pump, 20 air jets, heated air blower, Aromatherapy, pre-leveled foam base | AW111-DI | \$8,280 | AW111DM-DI | \$8,820 |
| | | AW111-UM | | AW111DM-UM | |
| Air Massage with Ultra Whirlpool | 6 point-massage jets, 12 micro-jets with Tsubo massage, 2 2-bhp pumps, inline heater, 20 air jets, heated air blower, Aromatherapy, Ozone, pre-leveled foam base | AU111-DI | \$10,075 | AU111DM-DI | \$10,615 |
| | | AU111-UM | | AU111DM-UM | |
| Air Massage Elite with Standard Whirlpool | 6 point-massage jets, 2-bhp pump, 30 air jets, heated air blower, Aromatherapy, Chromatherapy LED lighting, Spa Mode, pre-leveled foam base | AEAP111-DI | \$9,990 | AEAP111DM-DI | \$10,530 |
| | | AEAP111-UM | | AEAP111DM-UM | |
| Air Massage Elite with Ultra Whirlpool | 6 point-massage jets, 12 micro-jets with Tsubo massage, 2 2-bhp pumps, inline heater, 30 air jets, heated air blower, Aromatherapy, Ozone, Chromatherapy LED lighting, Spa Mode, pre-leveled foam base | AEAP111U-DI | \$10,975 | AEAP111UDM-DI | \$11,515 |
| | | AEAP111U-UM | | AEAP111UDM-UM | |

RECOMMENDED SENSORY THERAPIES

Chromatherapy

(LE) **\$800** underwater lighting
 2 LED lights included

Audiotherapy

(STEREOBT) **\$1,390** 2 transducers with bluetooth and amplifier
 (BTREMOTE) **\$600** bluetooth remote

(STEREOH202) **\$1,575** 4 transducers amplifier not included

Thermaltherapy

(RAD100) **\$1,595** Radiance®
 2 heated zones included
 (HTISOAK) **\$825**



For more information on options and accessories go to Acrylic Tub Options at mtibaths.com

| |
|---|
| Options <i>Must be ordered at time of purchase.</i> |
| Standard Colors White (CWH) DoloMatte available in matte white only. Biscuit (CBS) Not available for DoloMatte. |
| Quick Ship reduces lead time (QSPRI) \$430 <i>Please call for availability</i> |
| Inline Heater maintains water temperature For Soaker or Air Baths (HTISOAK) \$825 Includes a recirculating pump <i>Cannot be combined with Microbubbles.</i> |
| Virtual Spout high-flow integrated tub filler (FPMJ) \$450 <i>Virtual Spout location is left of the overflow, unless otherwise specified on order.</i> |
| Grab Bars from \$330 <i>Selections vary. Personalization available.</i> |
| Textured Bottom (TXTBTM) Acrylic CXL® only \$105 DoloMatte® exceeds ANSI A137.1/A326.3 and AS HB198 slip tests. |
| Accessories |
| Pillows from \$180 |
| Teak Bath Mat (TKMAT3018) \$815 <i>Custom sizes also available. Contact MTI for details and pricing.</i> |
| Teak Tub Tray Slatted (TK-TRAY1) \$500 Solid (TK-TRAY2) \$570 |

| |
|---|
| Hydrotherapy Equipment & Cleaning Systems <i>Must be ordered at time of purchase.</i> |
| Inline Heater maintains water temperature For Whirlpools or Stream Bath (HTI) \$570 Uses existing pump <i>Cannot be combined with Microbubbles.</i> |
| Whirlpool Cleaning Systems Fill-Flush (FFSO) \$590 Simple Touch (FFE) \$1,020 <i>Must specify stub-out location on order. See page 1 for location options.</i> |
| Whirlpool Jets Pump upgrade may be advisable for optimal performance when adding jets. Point-Massage Jet Extra Point-Massage Jet (EJ) \$315 Micro-Jet from \$360 <i>Jet styles and packages vary. Personalization available.</i> |
| Pump Upgrade - 3-bhp (PUMP3) \$315 |
| Jet Trim Kits For Standard Whirlpool Chrome (TRC) \$270 , Brushed Nickel (TRBN) \$725 For Ultra Whirlpool Chrome (TRCU) \$370 , Brushed Nickel (TRBNU) \$960 |
| Ozonator (OZONE) \$515 <i>Cannot be added to soakers or airbaths without combination hydrotherapy package or HTISOAK.</i> |

| |
|--|
| Installation Options <i>Must be ordered at time of purchase.</i> |
| Pre-Leveled Foam Base (PLFOAM) \$295 All airbaths include a pre-leveled foam base. |

| | | |
|--|---|--|
| Drains & Overflow Kits | <i>Toe Tap Rectangular Overflow must be ordered at time of purchase</i> | |
| Cable Driven Drain Finishes – PVC Drain Kit White/Biscuit (WOCDW) \$440 Chrome (WOC) \$410 Brushed Nickel (WOCDBN) \$490 Polished Nickel (WOCDPN) \$540 Oil-Rubbed Bronze† (WOCBOR) \$550 Polished Brass (WOCDBR) \$690 Special Finishes* (WOCDSF) \$1,135 <i>MTI does not offer a brass body cable drain kit.</i> | Toe Tap Round Overflow – PVC Drain Kit Chrome (WOTTC) \$380 Brushed Nickel (WOTTBN) \$385 Polished Nickel (WOTTPN) \$385 Special Finishes* (WOTTSF) \$1,145 Round Overflow – Solid Brass Drain Chrome (WOTSBC) \$810 Brushed Nickel (WOTSBBN) \$810 Polished Nickel (WOTTSBPN) \$810 | Toe Tap Rectangular Overflow – PVC Drain Kit Chrome (WOTRC) \$470 Brushed Nickel (WOTRBN) \$430 White (WOTRW) \$525 Lift & Turn Drain Finishes – PVC Drain Kit Chrome (WOC) \$185 White (WOW) \$245 Brushed Nickel (WOBN) \$305 |

| | | |
|---|--|---|
| Slim-Line Overflow with Toe Tap Drain <i>Must be ordered at time of purchase.</i> | Slim-Line Overflow with Toe Tap Drain | Slim-Line Overflow with Toe Tap Drain |
| <ul style="list-style-type: none"> Low profile overflow is factory installed Overflow measures 4.5" x 1" Provides a deeper soak Not available for commercial applications | PVC Drain Chrome (SLOT) \$500 Brushed Nickel (SLOTBN) \$530 Polished Nickel (SLOTPN) \$555 White (SLOTW) \$430 | Solid Brass Drain Chrome (SLOTSBC) \$930 Brushed Nickel (SLOTSBBN) \$935 Polished Nickel (SLOTSBPN) \$935 White (SLOTSBW) \$965 |

† MTI has selected an oil-rubbed bronze finish that is compatible with Delta and many other manufacturers. To ensure best match, order as a Special Finish and submit a sample.

* Allow 2-4 weeks lead time for Special Finishes. Send sample for best match.

