

Recessed Fixtures Technical Specification

Installation Clamps

RC2, BR587

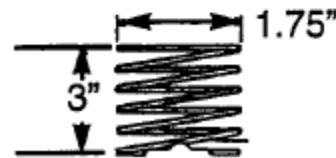
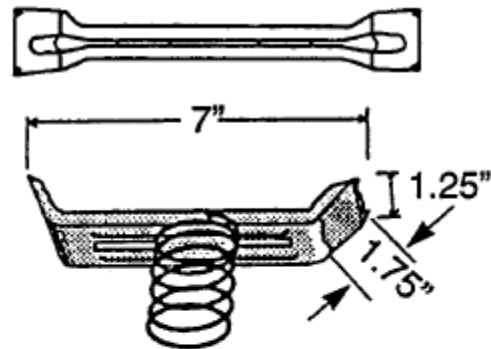
Stock Numbers:

- ❑ **RC2 – Installation Clamp**
Use with all screw mounted recessed fixtures
Blister Pack
- ❑ **BR587 – Installation Clamp**
Use with all screw mounted recessed fixtures
Box Pack

Materials:

Installation Clamp is stamped from type 304 steel.

Dimensions:



Installation Instructions:

Assemble spring to C-clamp. Compress spring and insert into opening.

Stock Number: _____ **Installation Clamp**
By Creative Specialties



25300 AL MOEN DRIVE • NORTH OLMSTED, OH 44070
CORPORATE HEADQUARTERS: (800) 321-8809 • FAX: (800) 848-6636
INTERNATIONAL: (440) 962-2000 • FAX: (440) 962-2726
CUSTOMER SERVICE (USA): 800-882-0116 • FAX: (888) 379-2720
WWW.MOEN.COM

©Copyright Creative Specialties International

Literature #BA1652