

Madison Technical Specification

Towel Ring

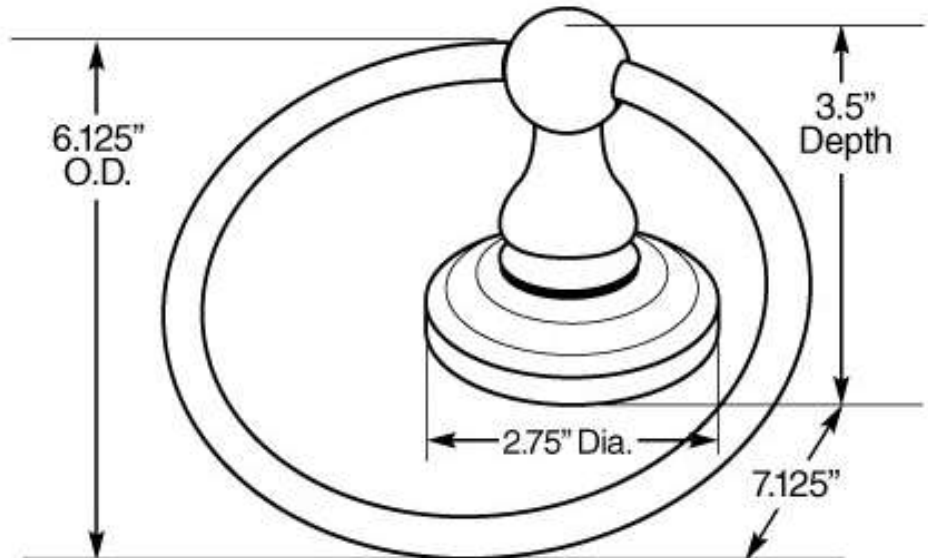
DN6986

Stock Numbers:

- ❑ **BP6986CH – Towel Ring**
Polished Chrome Finish
Concealed Screw Mounting
- ❑ **BP6986OWB – Towel Ring**
Old World Finish
Concealed Screw Mounting
- ❑ **DN6986PW (BP6986PW) – Towel Ring**
Pewter Finish
Concealed Screw Mounting

“BP” skus in wholesale packaging

Dimensions:



Materials:

Towel Ring base is die cast from highest quality zinc alloy (zamac) and finished in a high quality powder coating or metallic plated finish. Ring is aluminum.

Installation Instructions:

1. Position the mounting plate on the wall at desired location with “UP” facing you.
2. One at a time, place each anchor screw through the mounting plate, centered in each large hole. Using a Phillips screwdriver, turn the anchor screw while applying pressure. Screw will self drill and tap into drywall. Do not over tighten.
3. Place assembly over the mounting plate, setscrew facing down.
4. Tighten setscrew.

Cleaning Instructions:

To preserve the fine finish of this product, clean only with a soft damp cloth. Dry well. Do not use commercial or abrasive cleaners.

Stock Number: _____ **Towel Ring**
By Creative Specialties

25300 AL MOEN DRIVE • NORTH OLMSTED, OH 44070
CORPORATE HEADQUARTERS: (800) 321-8809 • FAX: (800) 848-6636
INTERNATIONAL: (440) 962-2000 • FAX: (440) 962-2726
CUSTOMER SERVICE (USA): 800-882-0116 • FAX: (888) 379-2720
WWW.MOEN.COM

©Copyright Creative Specialties International

Literature #BA1018

