

## SUBMITTAL SHEET

JOB NAME	ITEM TAG
JOB LOCATION	PART NUMBER
CONTRACTOR	DATE
ENGINEER APPROVAL	DATE

# LEAD-FREE FORGED STEEL DIELECTRIC UNION

## T-573NL

Lead-free design is suitable for all no-lead potable water installations, in full compliance of all lead-free plumbing laws.

High-strength, galvanized forged steel construction make them ideal for residential and commercial applications

Designed to reduce stray current and galvanic corrosion in piping systems made of two dissimilar metals

Self-aligning, non-conductive elastomer gasket and thermoplastic insert create a positive seal and complete isolation between the piping ends

Optional high-temperature gaskets and inserts are available for steam and hydronic heating applications

Available in sizes: 1/2" to 1" FIP x FIP

### Working Pressure, Non-Shock (PSI)

Cold working pressure (CWP): 200 p.s.i. up to 180° F

Saturated steam (WSP): 60 p.s.i. up to 275° F\*

*\*When equipped with the optional high-temperature steam gasket and insert. See Material Specification*

*Note: When ordering, the next-larger-size gasket and insert must be ordered. E.g. the 3/4" steam gasket and 3/4" steam ABS insert will only fit into the 1/2" T-573*

MATERIAL SPECIFICATION		
PART	MATERIAL	SPECIFICATION
1 Body	Forged carbon steel, galvanized	ASTM A1008A
2 Union nut	Forged carbon steel, galvanized	ASTM A1008A
3 FIP adapter	Lead-free forged brass	JIS C6806
4 Gasket	EPDM rubber	Commercial grade
	**Epichlorohydrin rubber	Commercial grade
5 Insert insulator	ABS resin	Commercial grade
	**Fiber-reinforced ABS resin	Commercial grade

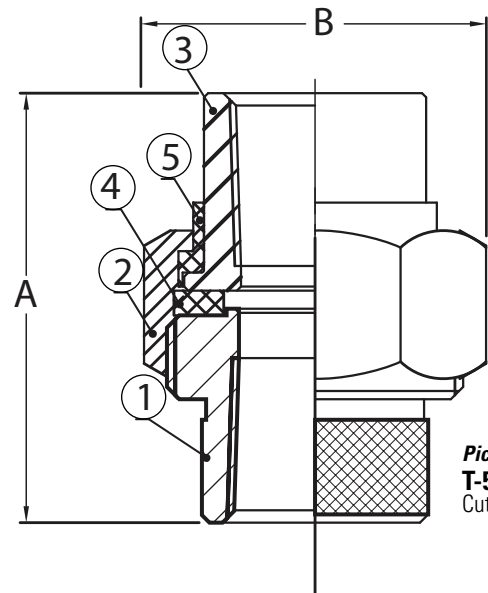
*\*\* Optional high-temperature steam gasket and insert*

DIMENSIONS		
Size	A	B
1/2"	2.00	1.63
3/4"	2.22	1.88
1"	2.50	2.26

- Third-party tested and certified in compliance with U.S. Federal Public Law 111-380 (National lead-free plumbing law).
- Meets NSF 372 Lead content requirements
- Tensile strength, dimensional and galvanized coating requirements conform to ANSI/ASME B16.39
- Threaded pipe end connections conform to ANSI/ASME B1.20.1
- Manufactured in an ISO accredited facility



**Pictured T-573NL**



**Pictured T-573NL Cut-away**