

SUBMITTAL SHEET

JOB NAME	ITEM TAG
JOB LOCATION	PART NUMBER
CONTRACTOR	DATE
ENGINEER APPROVAL	DATE

LEAD-FREE FULL PORT BALL VALVE WITH DRAIN

T/S-1100NL



**Pictured:
T/S-1100NL**

Lead-free design is suitable for all no-lead potable water installations, in full compliance of all lead-free plumbing laws.

Durable lead-free forged brass body.

Bottom-loaded blowout-proof stem.

3M Dyneon* TFM PTFE seats.

Dual O-ring stem seal.

Waste drain allows line to be drained for maintenance or to prevent freeze-up.

A more durable alternative to conventional stop and waste valves.

Available in nominal sizes 1/2" to 1" in FNPT and solder connections.

- Third-party tested and certified in compliance with U.S. Federal Public Law 111-380 (National lead-free plumbing law).
- NSF certified to ANSI / NSF standard 61-G
- End connections comply with:
 - ANSI / ASME B1.20.1 (FNPT)
 - ANSI / ASME B16.18 (CTS solder)
- Manufactured in an ISO accredited facility.



Working Pressure, Non Shock (PSI)

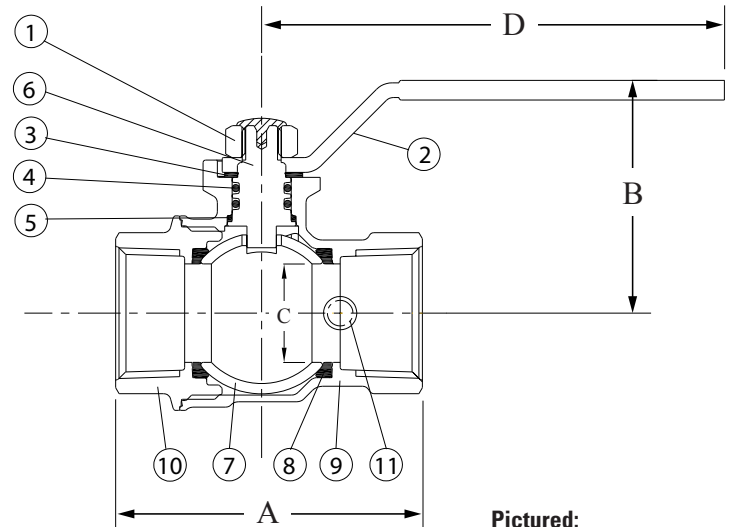
Cold working pressure (CWP): 500 p.s.i.
Saturated Steam: Not suitable for steam service

MATERIAL SPECIFICATION

PART	MATERIAL	SPECIFICATION
1 Handle nut	Dacromet coated steel	ASTM A510 UNS G10060
2 Handle	Dacromet coated steel	ASTM A510 UNS G10060
3 Anti-friction washer	TFM PTFE	Dyneon*
4 O-rings	Fluorocarbon	Viton**
5 Thrust washer	TFM PTFE	Dyneon*
6 Stem	Lead-free chrome plated forged brass	UNS Alloy C28500
7 Ball	Lead-free chrome plated forged brass	UNS Alloy C28500
8 Seats (2)	TFM PTFE	Dyneon*
9 Body	Lead-free forged brass	UNS Alloy C28500
10 End adapter	Lead-free forged brass	UNS Alloy C28500
11 Waste cap	Forged brass	UNS Alloy C37700

*Dyneon TFM is a registered trademark of the 3M Company.

**Viton is a registered trademark of DuPont



**Pictured:
T-1100NL
Cut-away**

DIMENSIONS

Size	A (IPS)	A (CXC)	B	C	D	CV**
1/2"	2.08	2.29	1.42	0.59	3.07	14.20
3/4"	2.35	3.15	1.87	0.79	3.78	28.60
1"	2.91	3.84	2.02	1.00	3.78	56.40

**The CV Factor is the gallons of water per minute passed through the valve with a 1 PSI pressure drop.