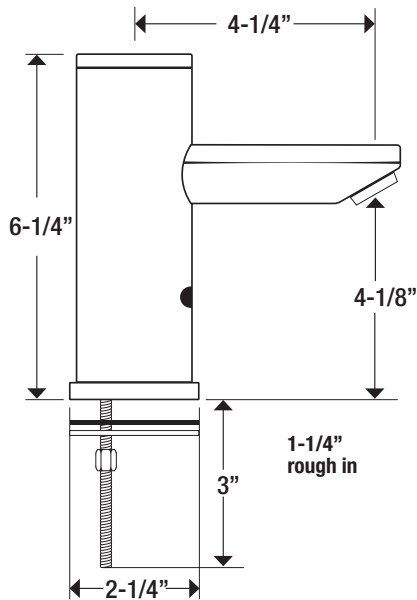




Model: _____ Item #: _____ Date: _____
 Project: _____ Qty: _____ Approved By: _____

Model 16-654 Electronic Deck Mount Faucet Single Hole w/ Straight Spout



Standard Features

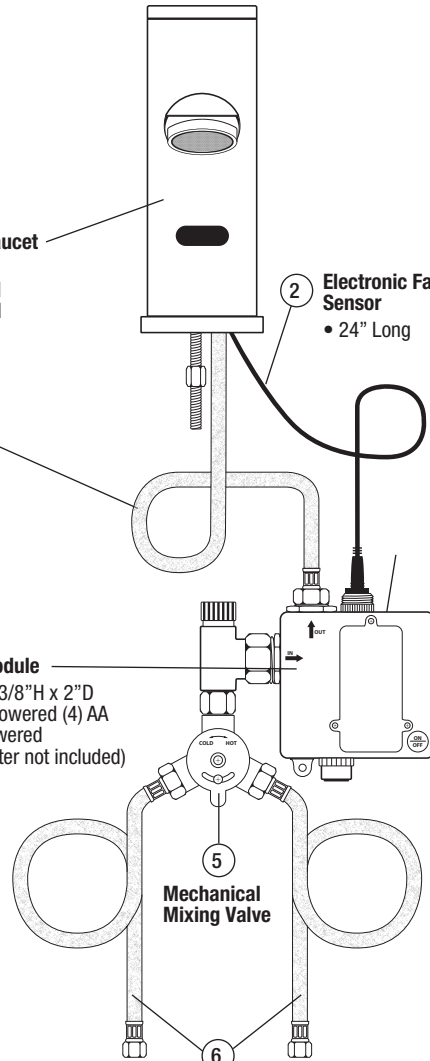
- Includes Electronic Faucet with Sensor, Control Module, Mechanical Mixing Valve, Supply Hoses & Mounting Hardware. AC Adapter is optional.
- Single Hole, 1-1/4" rough in
- Infrared sensor turns water on and off for hands free, fast and safe operation
- Saves water
- Eliminates cross contamination
- Built-in filter
- Operates on battery power or A/C adapter (batteries included)
- Battery life 1 - 3 years based on usage
- Built-in low battery indicator light
- Ideal for all hand sinks, scrub sinks, hospitals, restrooms and food establishments
- Ideal for retro-fit, easy installation
- 0.5 GPM aerator installed
- 1.5 GPM aerator included
- Full replacement parts available
- Lead free



- 1 **Electronic Deck Mount Faucet**
 - Single Hole
 - 0.5 GPM aerator installed
 - 1.5 GPM aerator included
- 2 **Electronic Faucet Sensor**
 - 24" Long

- 3 **Flexible Stainless Steel Spout Supply Hose**
 - 1/2" NPSM x 1/4" NPSM
 - 18" Long

- 4 **Control Module**
 - 4"W x 3-3/8"H x 2"D
 - Battery powered (4) AA or AC powered (AC adapter not included)



5 **Mechanical Mixing Valve**

6 **Flexible Stainless Steel Supply Hoses**

- 3/8" Compression x 1/2" NPSM
- 18" Long

NO.	Item	Model
1	Electronic Faucet	16-654
2	Electronic Faucet Sensor	16-505
3	Flexible Stainless Steel Spout Supply Hose	16-512
4	Control Module	16-198
5	Mechanical Mixing Valve	16-402L
6	Flexible Stainless Steel Supply Hoses	16-510