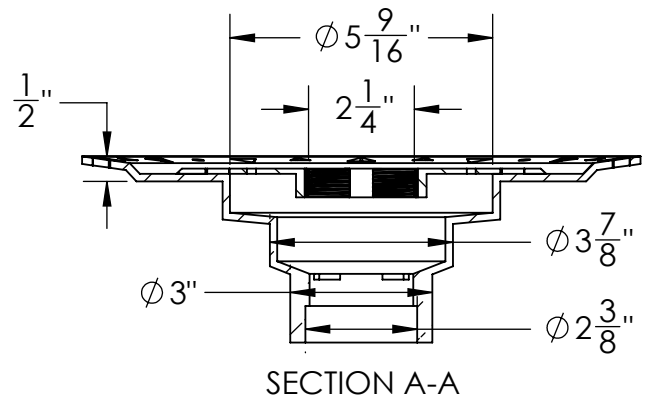
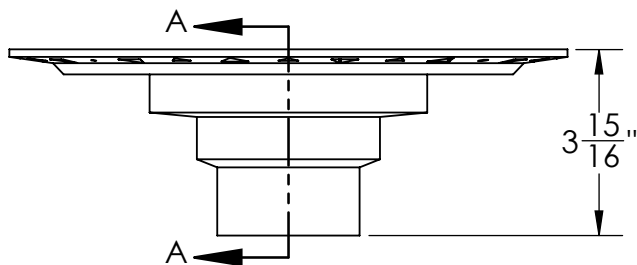
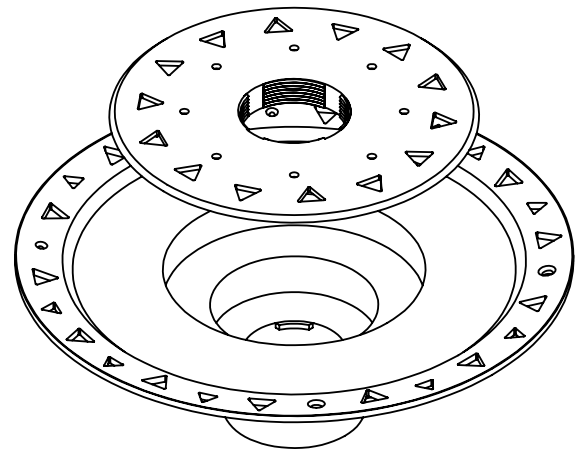
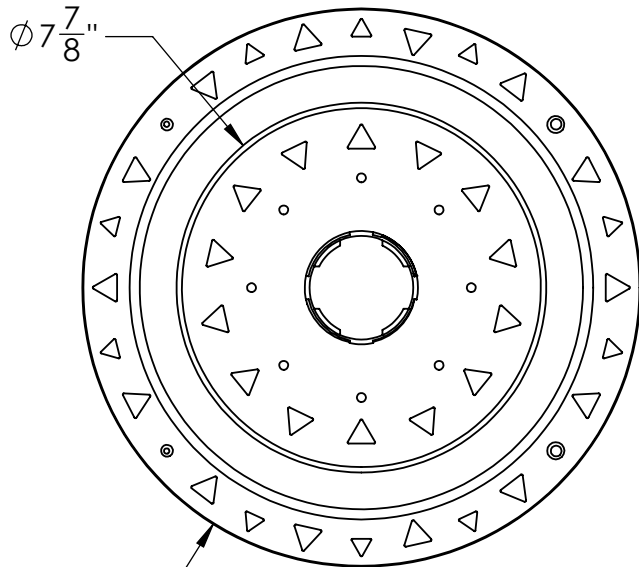


# BFA 22 Specifications ID Infinity Drain

**BFA 22:**

- ABS Bonded Flange Assembly
- 2" Throat fits 2", 3", and 4" outlet
- Compatible with cold applied liquid or fabric type waterproofing membranes



**Infinity Drain**  
 145 Dixon Avenue  
 Amityville, NY 11701  
 Phone: 516.767.6786  
 Fax: 516.740.3066  
 www.infinitydrain.com



NOTE: Installer must verify all rough-in dimensions prior to installation and consult local and national codes. Conformity and compliance to local and national codes are the responsibility of the installer.