

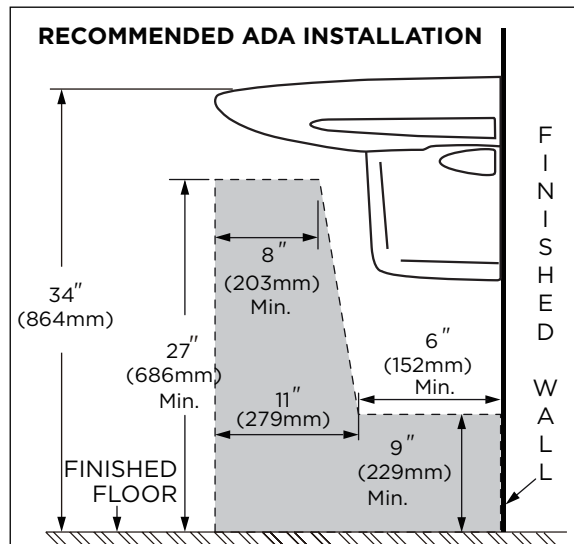
GERBER®

Installation Instructions for Wall Hung Sinks with Shroud

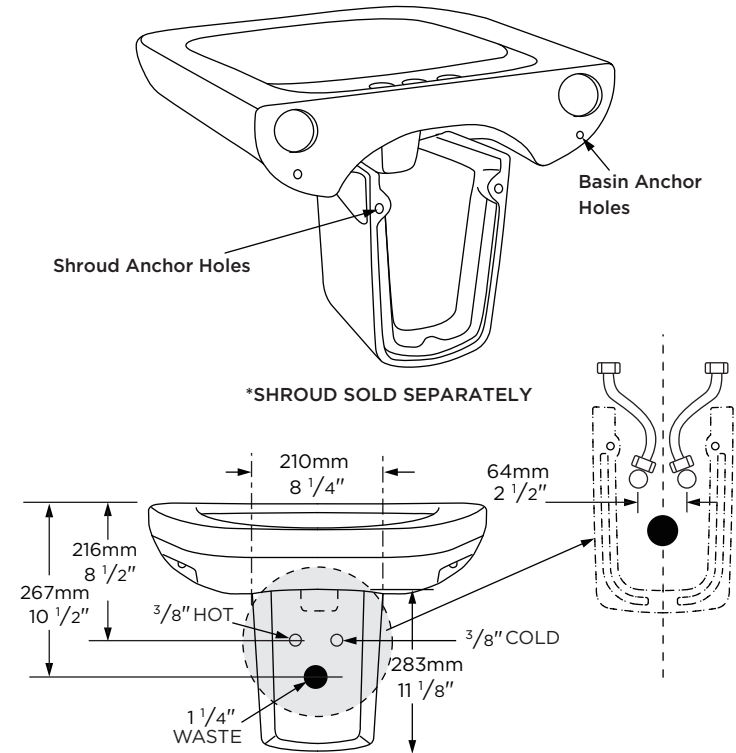
TOOLS REQUIRED



1. Provide suitable reinforcement behind the finished wall for lavatory hanger mounting.
2. Determine the desired lavatory rim height (31" general, 34" ADA or other) and use the dimensions on the lavatory specification sheet drawing to determine the height of the wall hanger.



Installation for 1 Hole and 4" Centers Faucets



Installation for 8" Centers Faucets

