



# Diamond Tub & Showers Spec Sheet

Model: TR4 543077 R-L (Right Shown)

Description: 4 Piece Remodeler Tub/Shower Combo

## Specifications

Model #	Material	Wall Finish	Pieces	Drain	Apron Height	Net Weight Lbs.
TR4 543077R/L	Fiberglass/Gelcoat	Smooth	4	LH/RH	13 3/4"	

## Sump Data

Top of Drain to Bottom of Overflow	Capacity to Overflow Gallons	Top Dimensions		Bottom Dimensions	
		Length	Width	Length	Width
10 1/16"	32.7	48 3/8"	21"	41 1/2"	19 1/4"

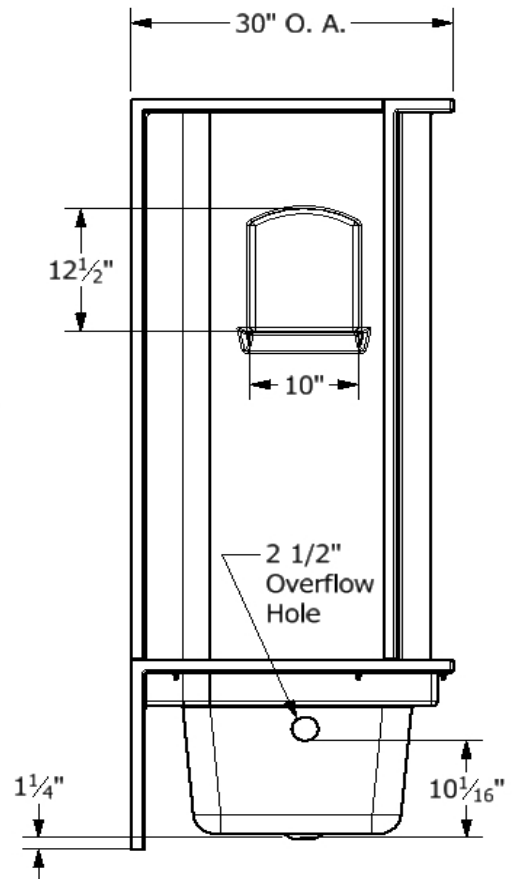
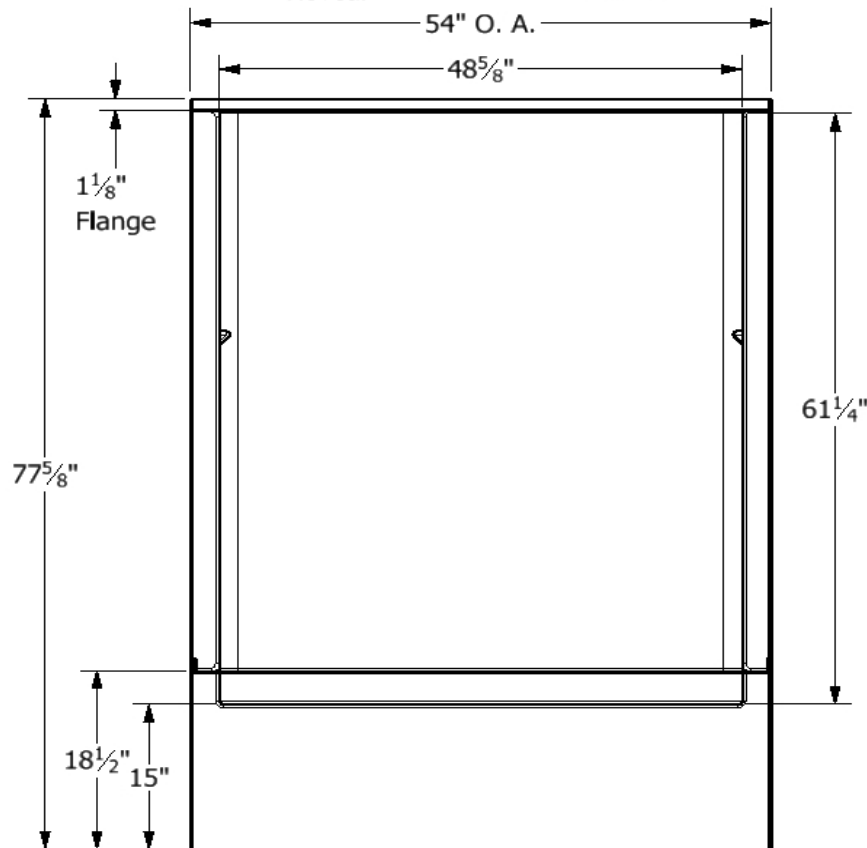
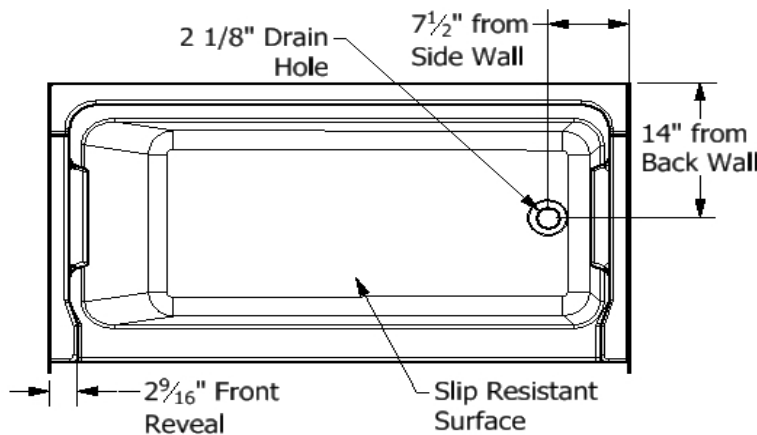
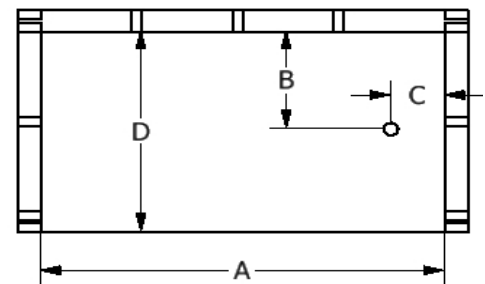
## Framing Dimensions

A	B	C	D
54"	14"	7 1/2"	30"

## Enclosure Opening

Width	Height
48 5/8"	61 1/4"

## Framing Specifications



Slope	1/4" / Foot, Minimum 1 Degree - Maximum 4 Degrees
Tolerances	+ 0 / - 1/4"
Other Info	

This product is tested by ICC-ES and is certified to conform to the requirements of CSA B45.5/IAMPO Z124 standard.

Manufactured by Frontline Mfg., Inc. Warsaw, IN



5/31/19