



Diamond Tub & Showers Spec Sheet

Model: STR4 603180 L/R

Description: Four Piece Tiled Remodeler Shower, No Seat and Left or Right Drain (Left Drain Shown, STR4 603180 L)

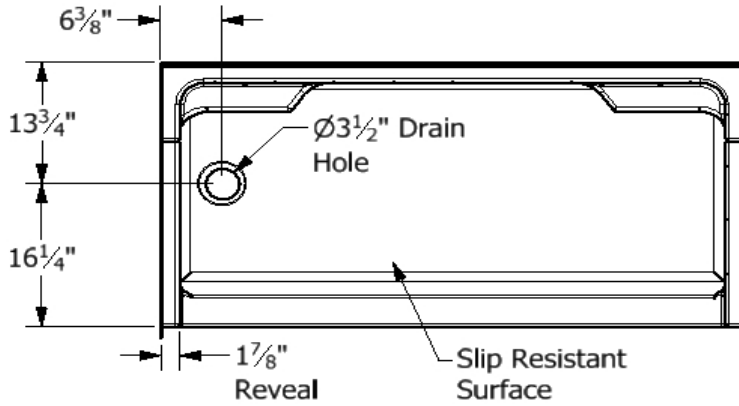
Specifications

Model #	Material	Wall Finish	Pieces	Drain	Threshold Height	Net Weight Lbs.
STR4 603180 L or R	Fiberglass/Gelcoat	Smooth	4	Left Center	5"	

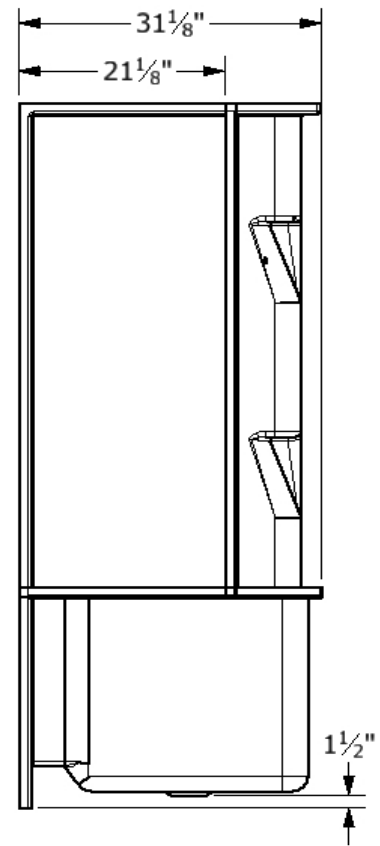
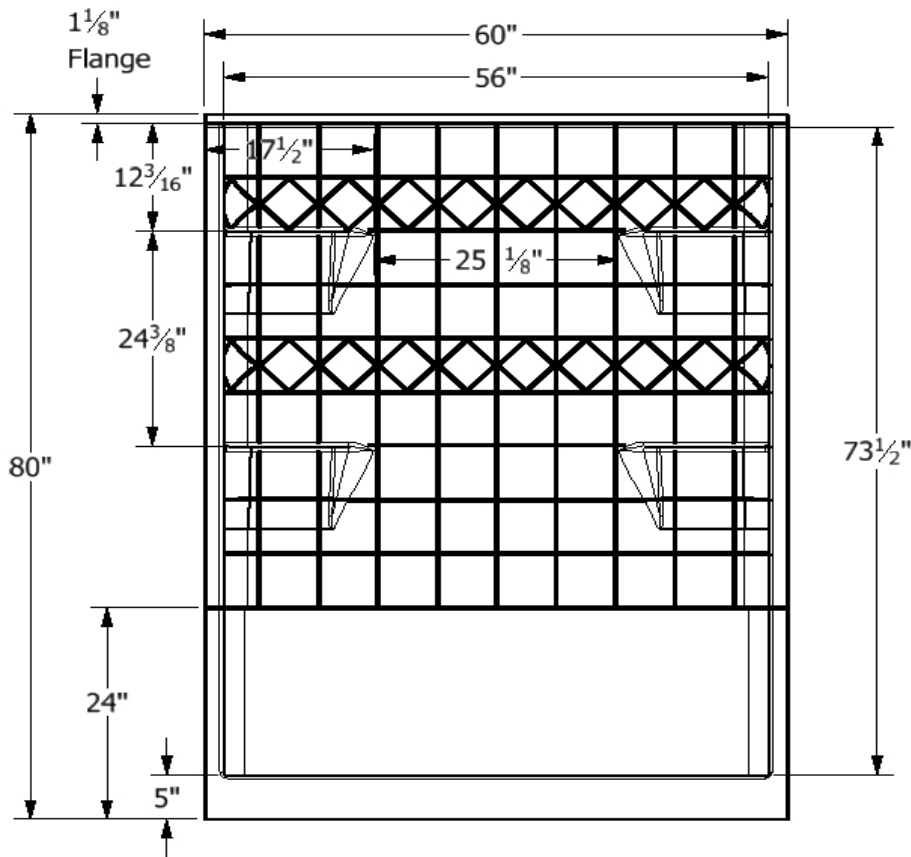
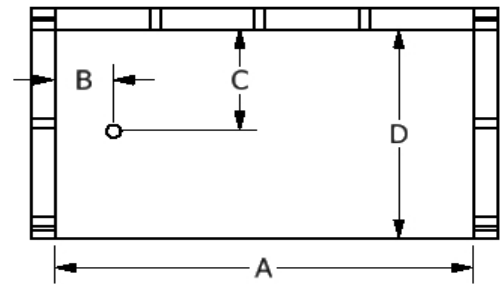
Enclosure Opening	
Width	Height
56"	73 1/2"

Framing Dimensions

A	B	C	D
60"	6 3/8"	13 3/4"	31 1/8"



Framing Specifications



This product is tested by ICC-ES and is certified to conform to the requirements of CSA B45.5/IAMPO Z124 standard.

Manufactured by Frontline Mfg., Inc. Warsaw, IN



5/31/19