



Diamond Tub & Showers Spec Sheet

Model: SRS 542876

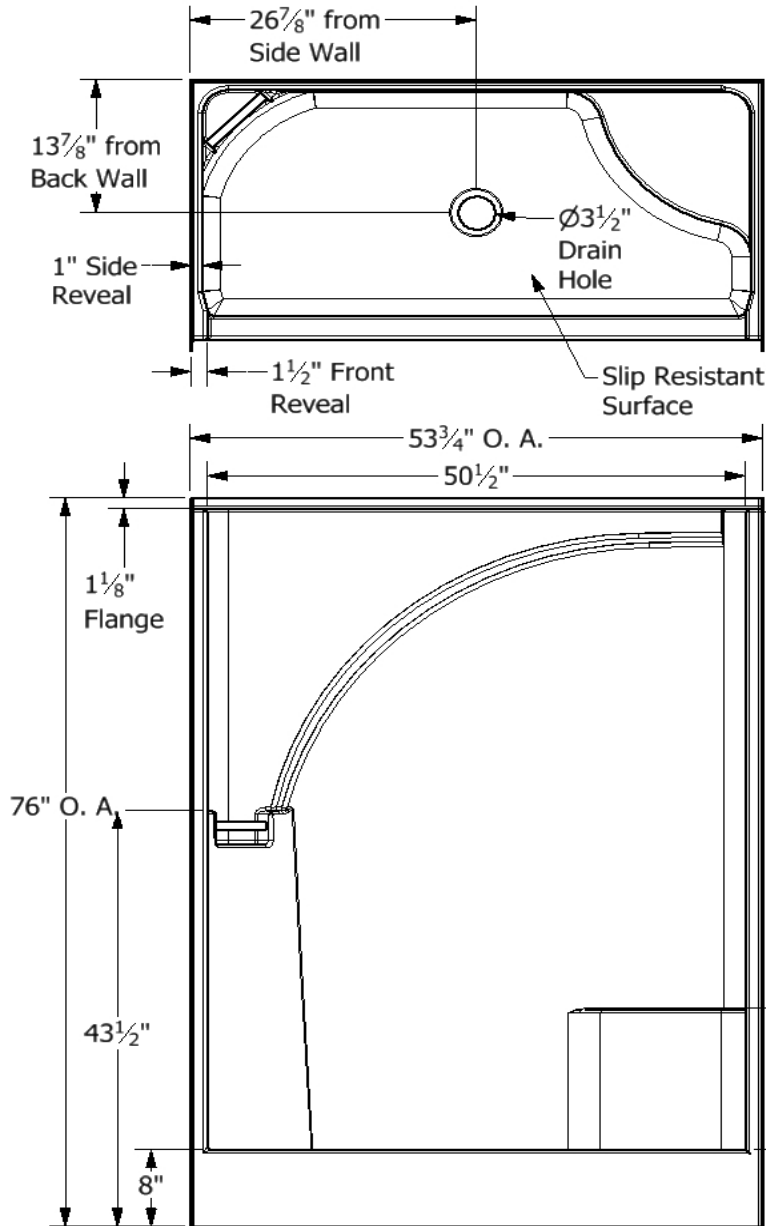
Description: One Piece Shower Unit with Right Seat

Specifications

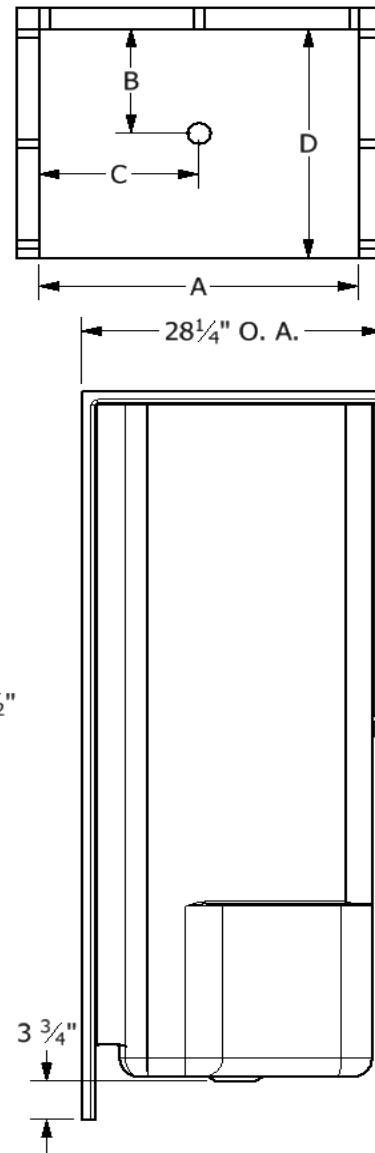
Model #	Material	Wall Finish	Pieces	Drain	Threshold Height	Net Weight Lbs.
SRS 542876	Fiberglass/Gelcoat	Smooth	1	C	8"	
Enclosure Opening						
Width		Height				
50 1/2"		66 1/2"				

Framing Dimensions

A	B	C	D
53 3/4"	13 7/8"	26 7/8"	28 1/4"



Framing Specifications



This product is tested by ICC-ES and is certified to conform to the requirements of CSA B45.5/IAMPO Z124 standard.

Manufactured by Frontline Mfg., Inc. Warsaw, IN
 ICC-ES PMG 5/31/19