



Diamond Tub & Showers Spec Sheet

Model: SNS 603779

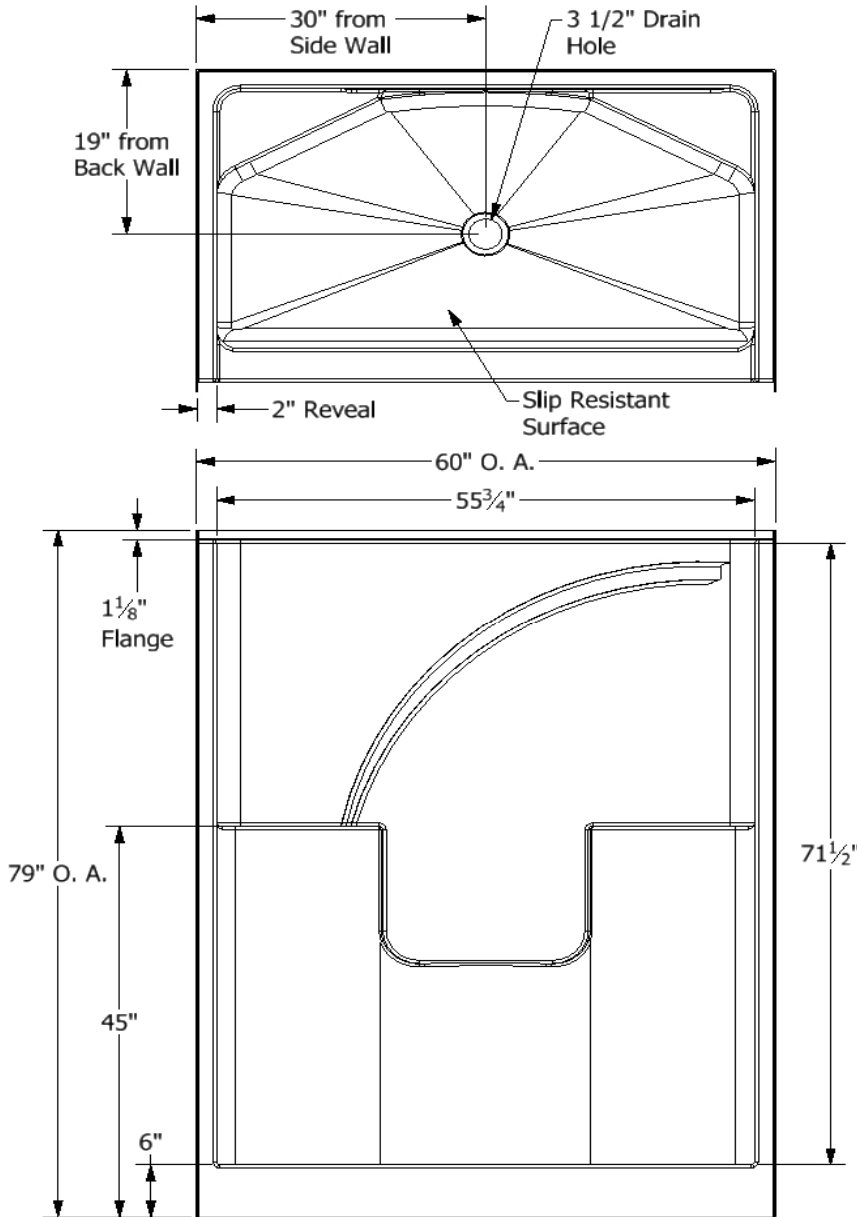
Description: One Piece Shower Unit with No Seat

Specifications

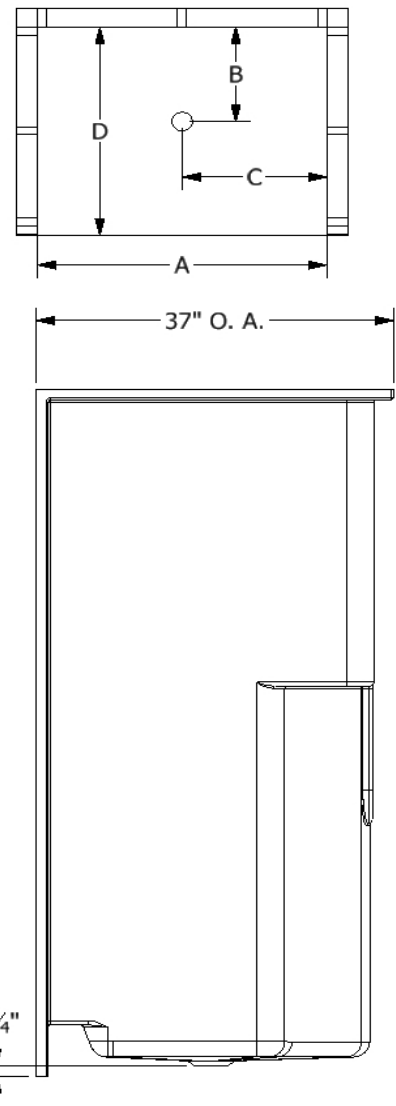
Model #	Material	Wall Finish	Pieces	Drain	Threshold Height	Net Weight Lbs.
SNS 603779	Fiberglass/Gelcoat	Smooth	1	C	6"	
Enclosure Opening						
Width		Height				
55 3/4"		71 1/2"				

Framing Dimensions

A	B	C	D
60"	19"	30"	37"



Framing Specifications



This product is tested by ICC-ES and is certified to conform to the requirements of CSA B45.5/IAMPO Z124 standard.

Manufactured by Frontline Mfg., Inc. Warsaw, IN



5/31/19