



Diamond Tub & Showers Spec Sheet

Model: SNS 542873 (S 5428, SNS 5428XX)

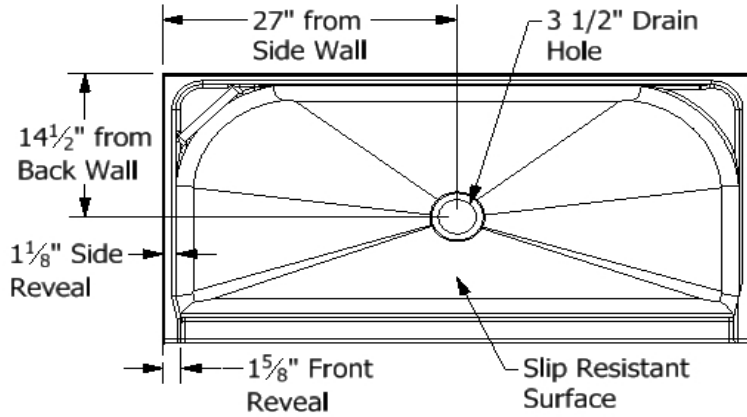
Description: One Piece Shower Unit with No Seat

Specifications

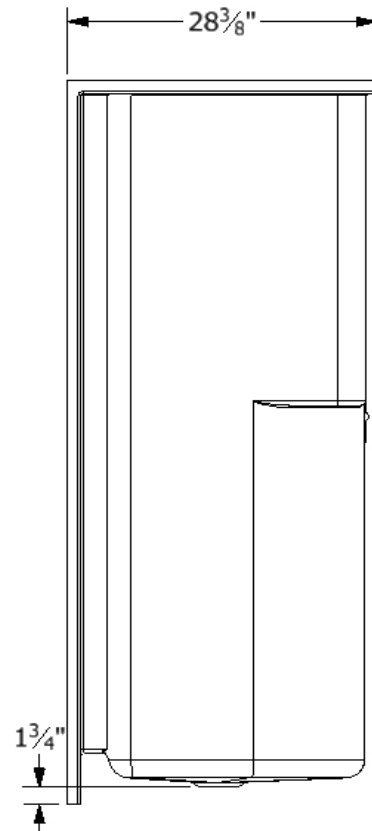
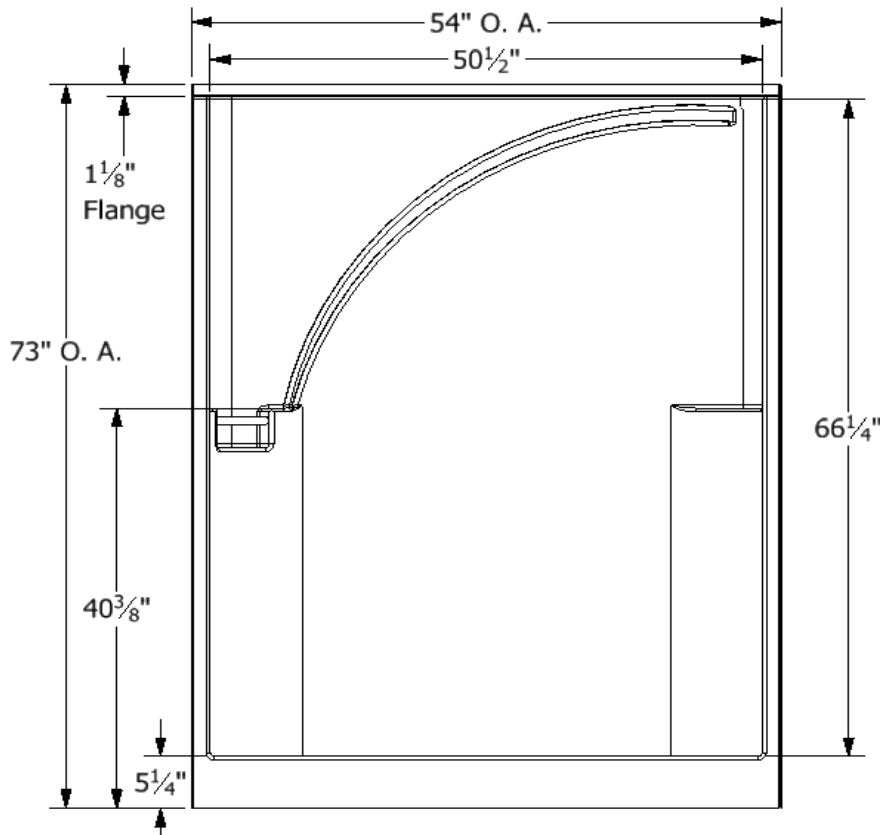
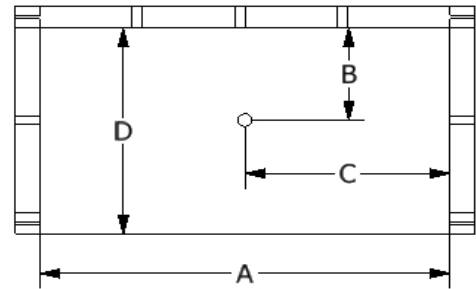
Model #	Material	Wall Finish	Pieces	Drain	Threshold Height	Net Weight Lbs.
SNS 542873	Fiberglass/Gelcoat	Smooth	1	C	5 1/4"	
Enclosure Opening						
Width		Height				
50 1/2"		66 1/4"				

Framing Dimensions

A	B	C	D
54"	14 1/2"	27"	28 3/8"



Framing Specifications



This product is tested by ICC-ES and is certified to conform to the requirements of CSA B45.5/IAMPO Z124 standard.

Manufactured by Frontline Mfg., Inc. Warsaw, IN
 7/22/19