



# Diamond Tub & Showers Spec Sheet

Model: SNAS 3974

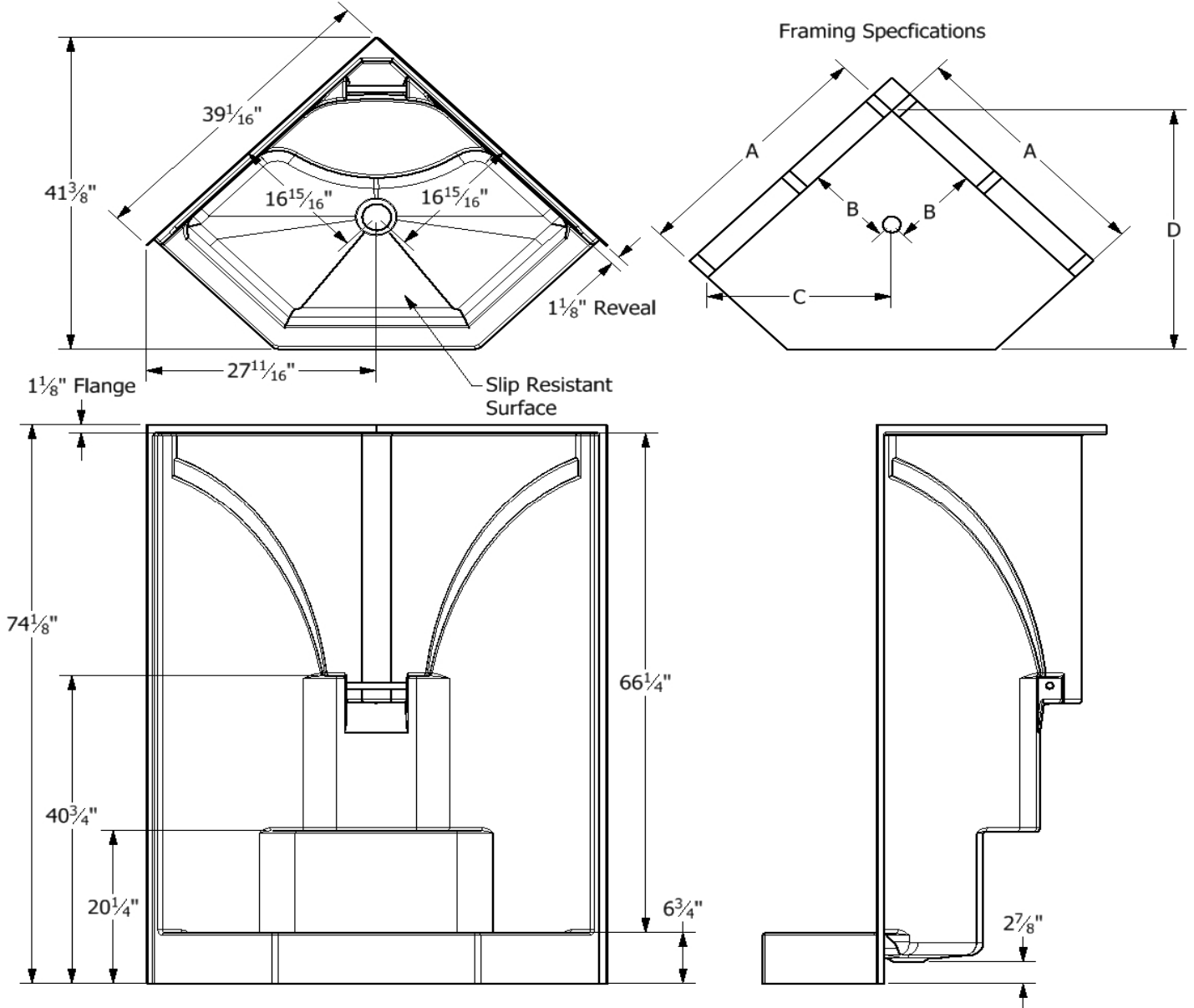
Description: Neo Angle One Piece Shower With Seat

## Specifications

Model #	Material	Wall Finish	Pieces	Drain	Threshold Height	Net Weight Lbs.
SNAS 3974	Fiberglass/Gelcoat	Smooth	1	C	6 3/4"	
Door Size						
Side	Front	Side	Height			
18 1/8"	22 3/8"	18 1/8"	66"			

## Framing Dimensions

A	B	C	D
39 1/16"	16 15/16"	"Centered"	41 3/8"



This product is tested by ICC-ES and is certified to conform to the requirements of CSA B45.5/IAMPO Z124 standard.

Manufactured by Frontline Mfg., Inc. Warsaw, IN



6/5/19