



Diamond Tub & Showers Spec Sheet

Model: SNADS 492476 (SNADS 4924XX)

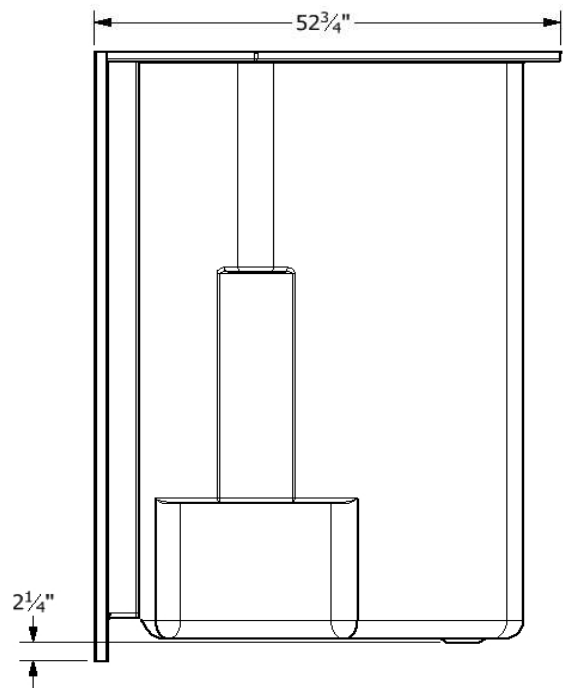
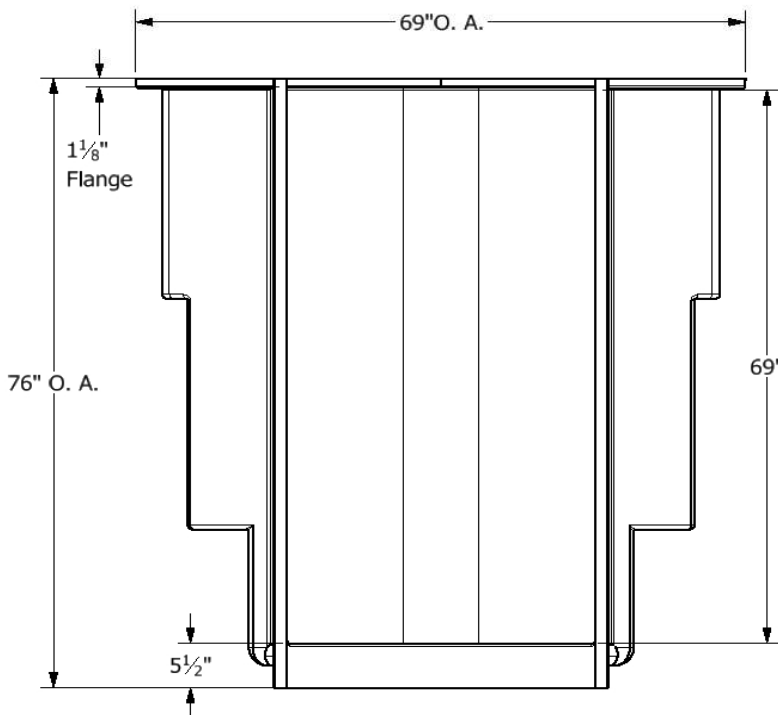
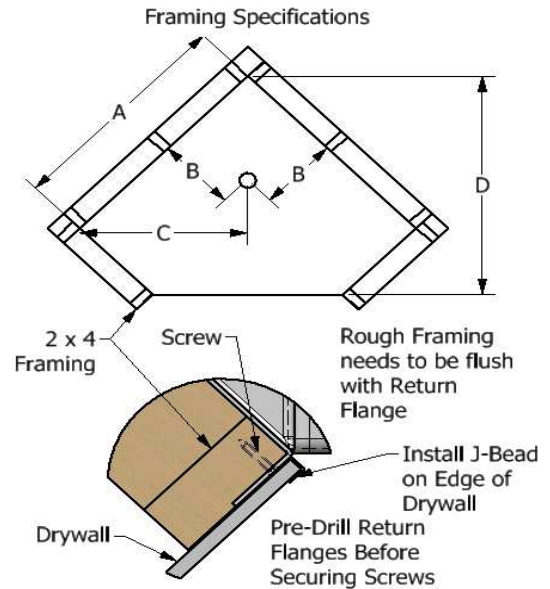
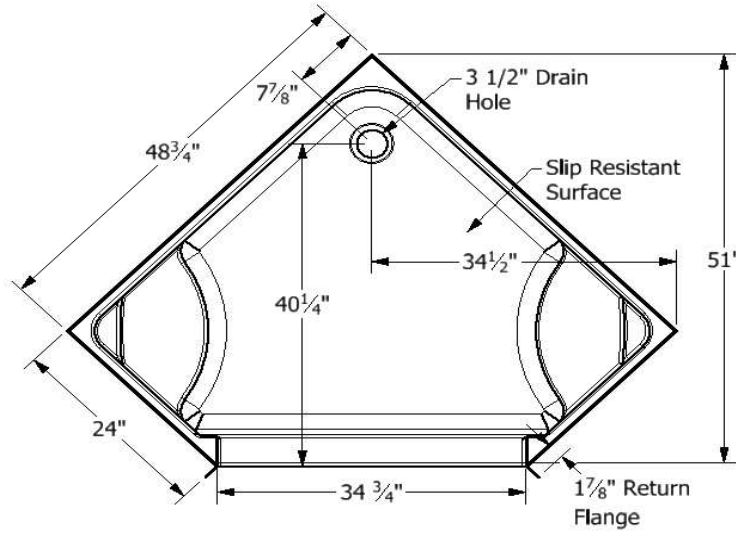
Description: Neo Angle One Piece Shower Unit with Double Seats

Specifications

Model #	Material	Wall Finish	Pieces	Drain	Threshold Height	Net Weight Lbs.
SNADS 492476	Fiberglass/Gelcoat	Smooth	1	Center/Rear	5 1/2"	
Door Size						
Side	Front	Side	Height			
NA	34 3/4"	NA	69"			

Framing Dimensions

A	B	C	D
49"	7 7/8"	"Centered"	51"



This product is tested by ICC-ES and is certified to conform to the requirements of CSA B45.5/IAMPO Z124 standard.

Manufactured by Frontline Mfg., Inc. Warsaw, IN
 5/31/19