



# Diamond Tub & Showers Spec Sheet

Model: SNA 3979 (SNA 39XX)

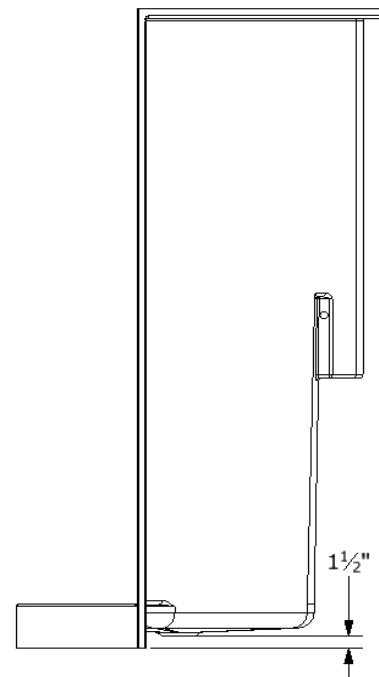
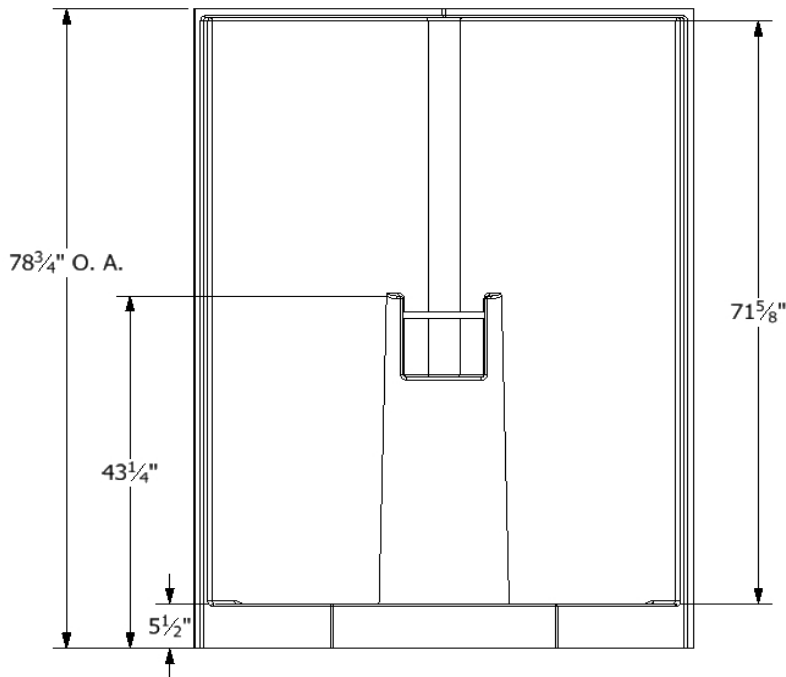
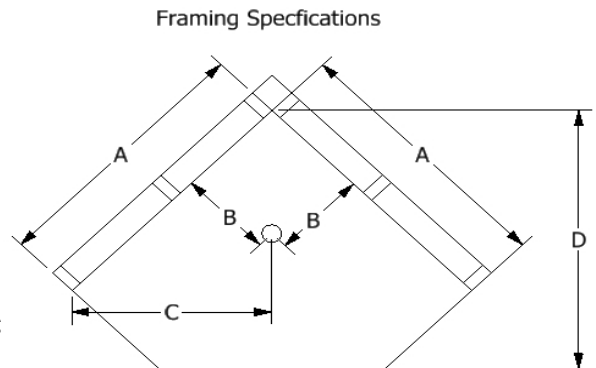
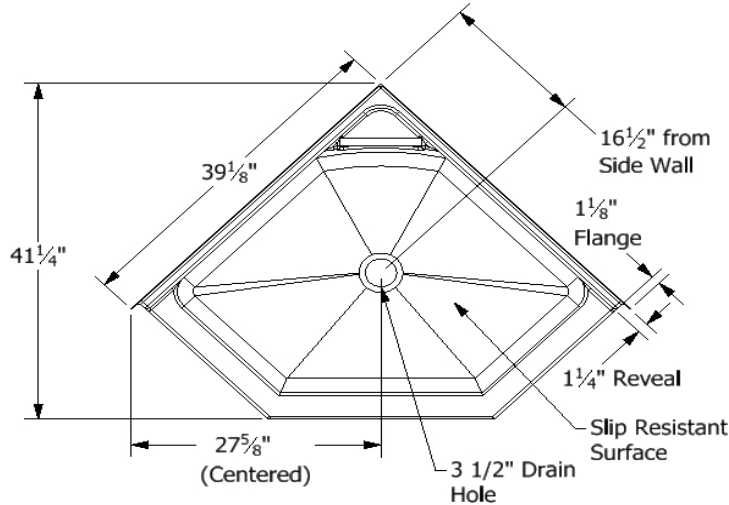
Description: Neo Angle One Piece Shower Unit

## Specifications

Model #	Material	Wall Finish	Pieces	Drain	Threshold Height	Net Weight Lbs.
SNA 3979	Fiberglass/Gelcoat	Smooth	1	C	5 1/2"	
Door Size						
Side	Front	Side	Height			
18 1/2"	24"	18 1/2"	71 5/8"			

## Framing Dimensions

A	B	C	D
39 1/4"	16 1/2"	"Centered"	41 1/4"



This product is tested by ICC-ES and is certified to conform to the requirements of CSA B45.5/IAMPO Z124 standard.

Manufactured by Frontline Mfg., Inc. Warsaw, IN  
 ICC ES PMG  
 5/31/19