



Diamond Tub & Showers Spec Sheet

Model: SHR4 643778

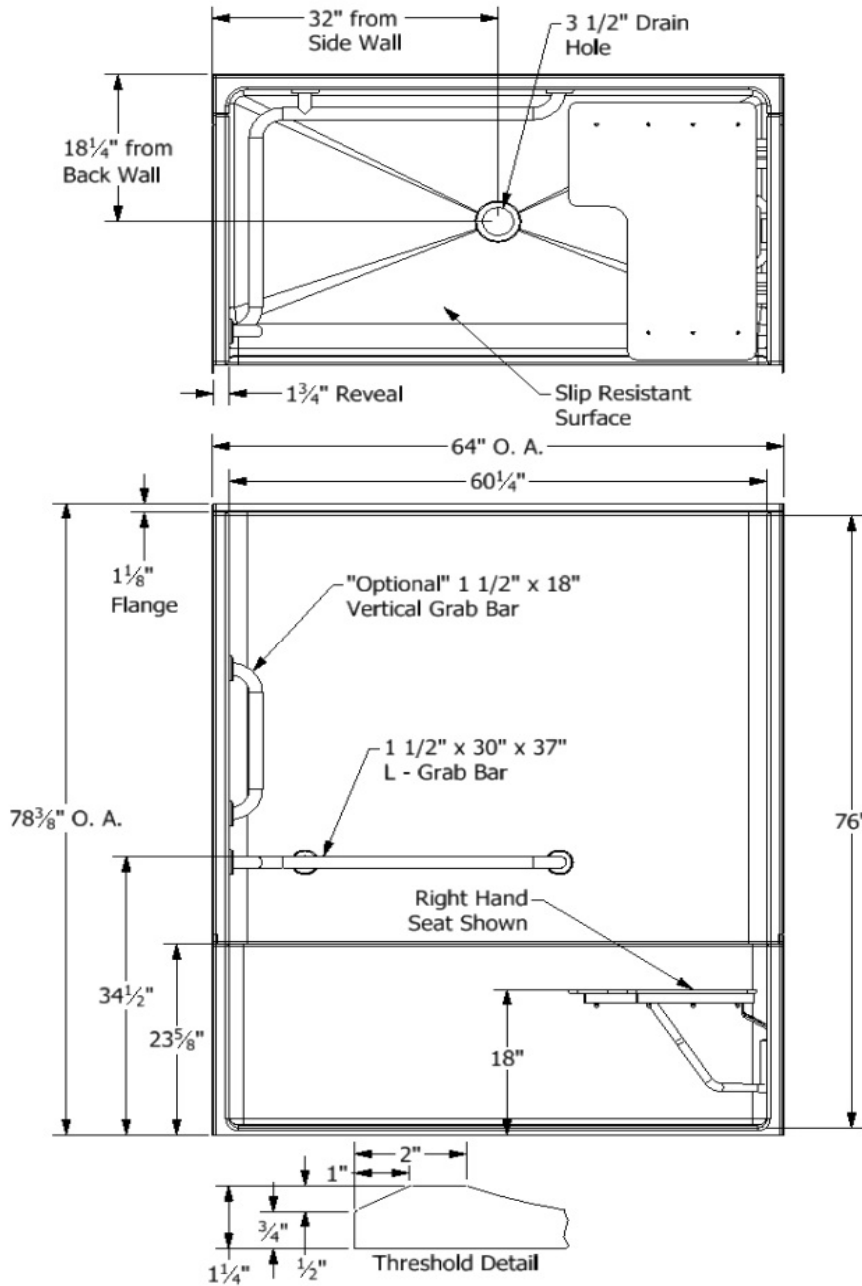
Description: Four Piece Remodeler Handicapped Shower Unit
(Right Seat Shown)

Specifications

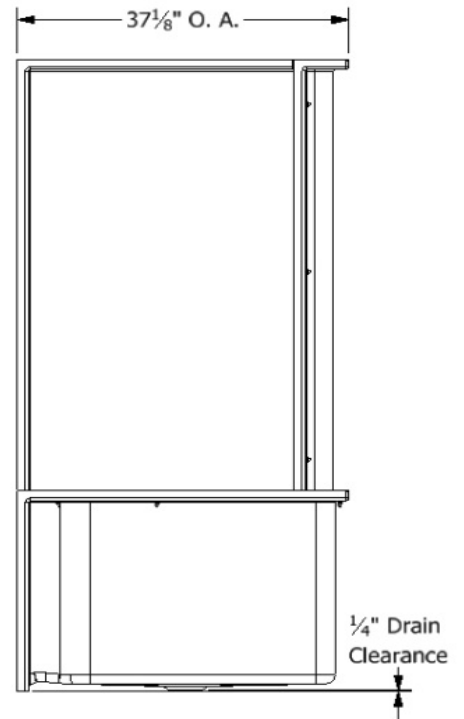
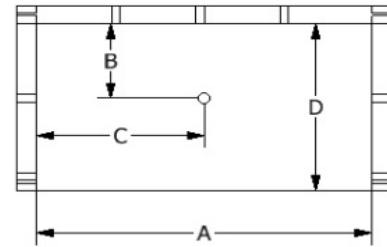
Model #	Material	Wall Finish	Pieces	Drain	Threshold Height	Net Weight Lbs.
SHR4 643778	Fiberglass/Gelcoat	Smooth	4	C	1 1/4"	
Enclosure Opening						
Width		Height				
60 1/4"		76"				

Framing Dimensions

A	B	C	D
64 1/8"	18 1/4"	32"	37 1/8"



Framing Specifications



This product is tested by ICC-ES and is certified to conform to the requirements of CSA B45.5/IAMPO Z124

Manufactured by Frontline Mfg., Inc. Warsaw, IN



5/31/19