



# Diamond Tub & Showers Spec Sheet

## Model: SA 483878/76 (78 Shown)

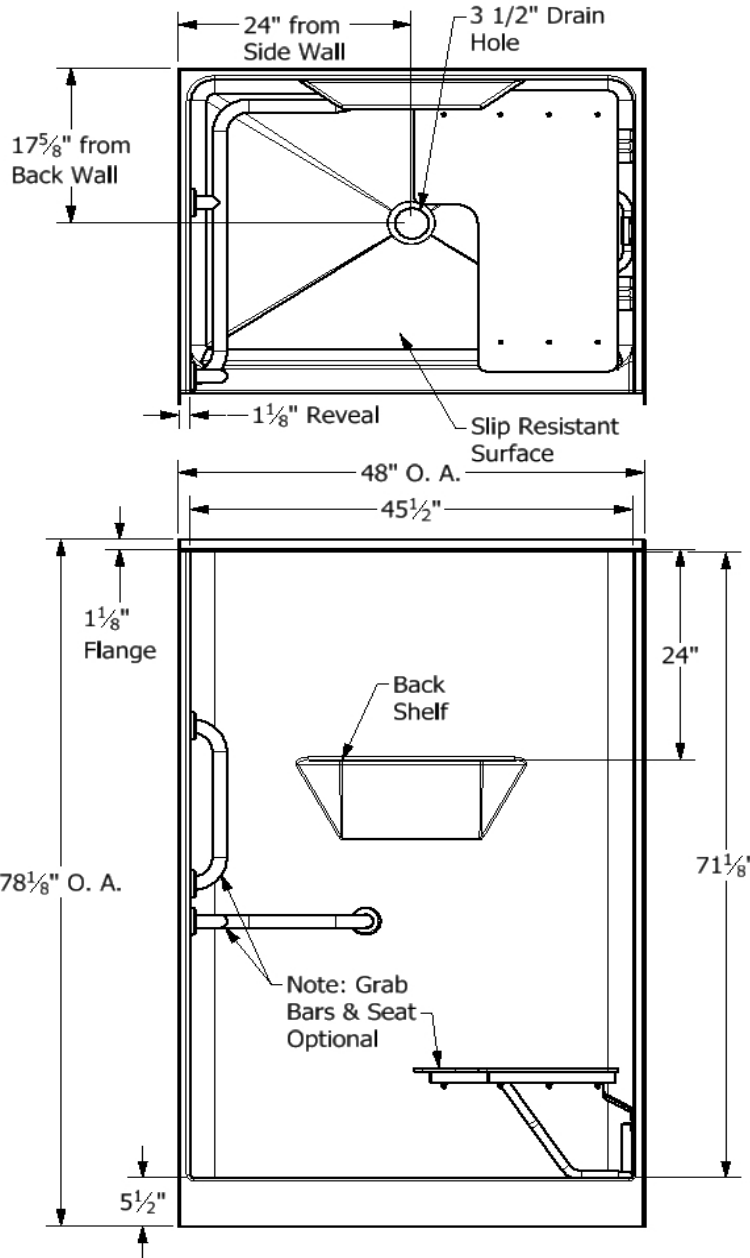
Description: One Piece Handicap Accessible Shower Unit

### Specifications

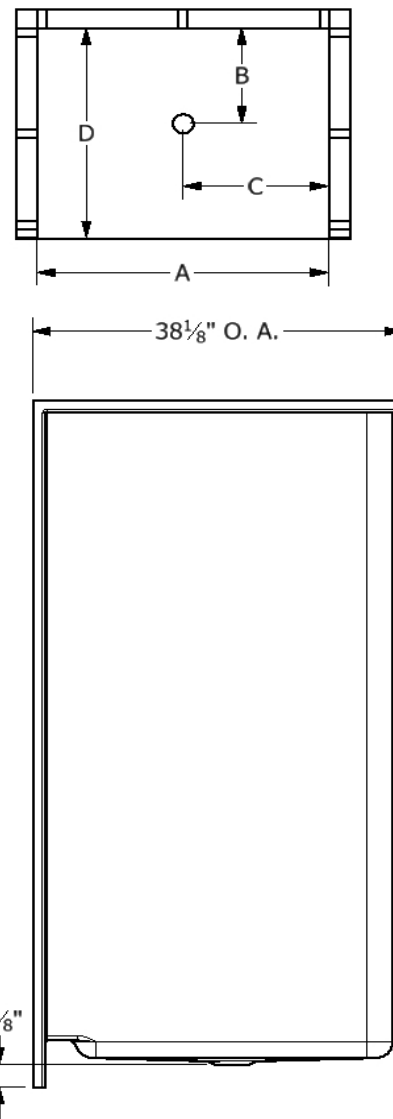
Model #	Material	Wall Finish	Pieces	Drain	Threshold Height	Net Weight Lbs.
SA 483878/76	Fiberglass/Gelcoat	Smooth	1	C	5 1/2"	
Enclosure Opening						
Width		Height				
45 1/2"		71 1/8"				

### Framing Dimensions

A	B	C	D
48"	17 5/8"	24"	38 1/8"



### Framing Specifications



This product is tested by ICC-ES and is certified to conform to the requirements of CSA B45.5/IAMPO Z124 standard.

Manufactured by Frontline Mfg., Inc. Warsaw, IN



7/22/19