



Diamond Tub & Showers Spec Sheet

Model: S 363674 (S 3636XX)

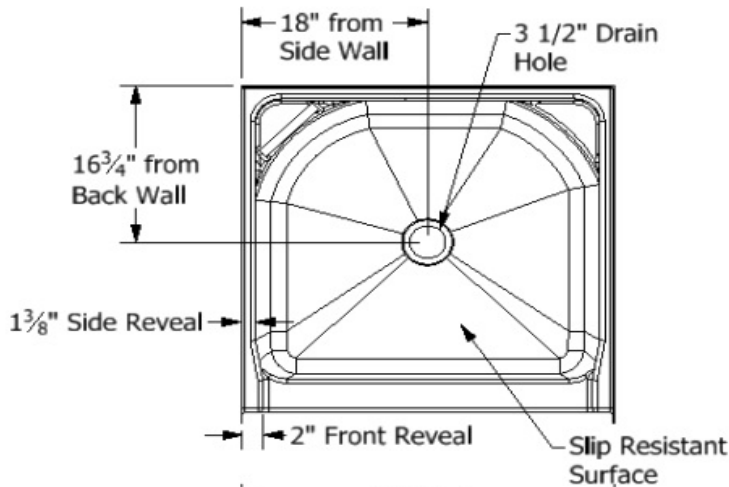
Description: One Piece Shower Unit

Specifications

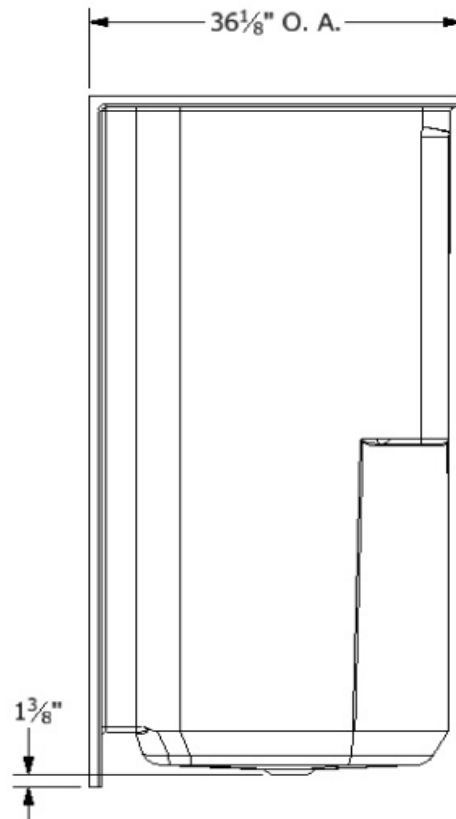
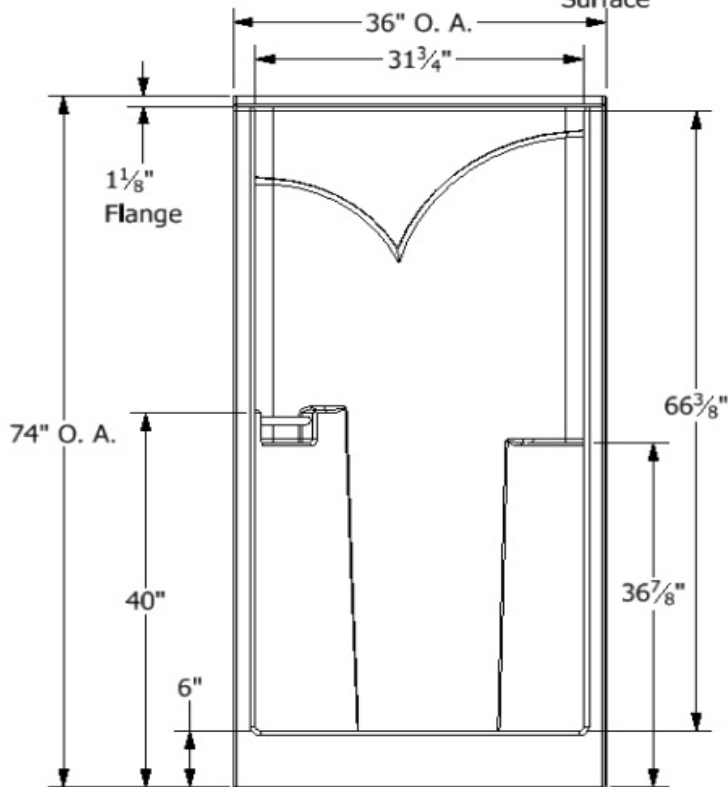
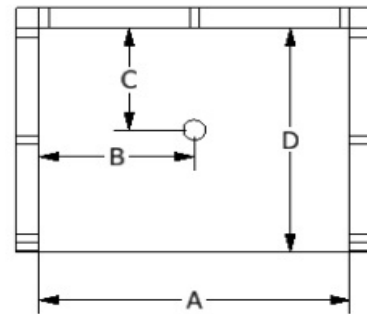
Model #	Material	Wall Finish	Pieces	Drain	Threshold Height	Net Weight Lbs.
S 363674	Fiberglass/ Gelcoat	Smooth	1	C	6"	
Enclosure Opening						
Width		Height				
31 3/4"		66 3/8"				

Framing Dimensions

A	B	C	D
36 1/8"	18"	16 3/4"	36 1/8"



Framing Specifications



This product is tested by ICC-ES and is certified to conform to the requirements of CSA B45.5/IAMPO Z124 standard.

Manufactured by Frontline Mfg., Inc. Warsaw, IN
 PMG 5/31/19