

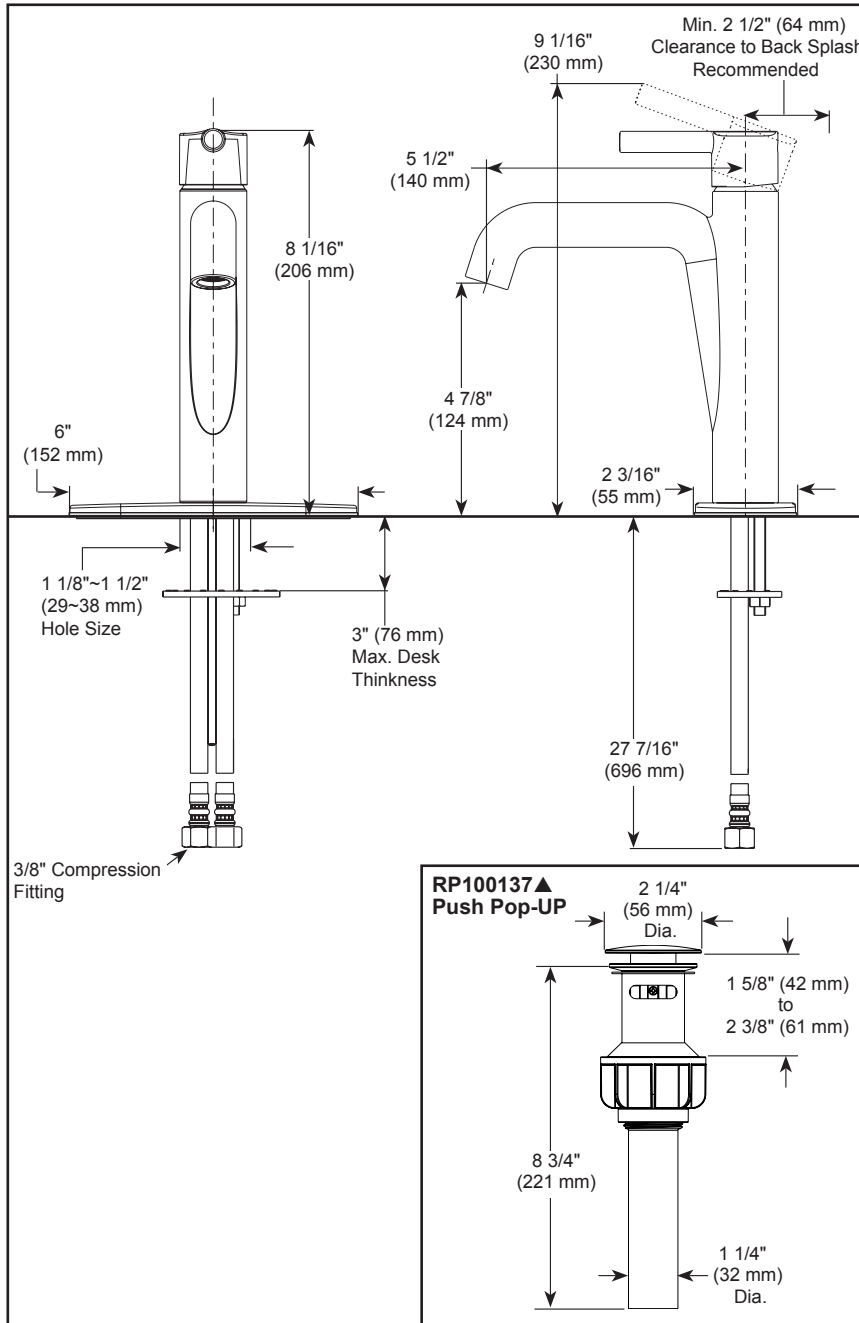
see what Delta can do™

BATHROOM FAUCET

■ Single Handle Deck Mount

Submitted Model No.: _____

Specific Features: _____



STANDARD SPECIFICATIONS:

- Maximum flow rate 1.2 gpm @ 60 psi, 4.5 L/min @ 414 kPa.
- One or three hole mount (escutcheon optional, included).
- Polymer braided flexible supply hose with 3/8" compression fitting thread connection
- Control mechanism is replaceable cartridge with ceramic plates.
- Model has push pop-up with overflow

WARRANTY

- Parts and Finish - Lifetime limited warranty; or for commercial purchasers, 10 years for multi-family residential (apartments and condominiums) and 5 years for all other commercial uses, in each case from the date of purchase.
- Electronic Parts and Batteries (if applicable) - 5 years from the date of purchase; or for commercial purchasers, 1 year from the date of purchase. No warranty is provided on batteries.



COMPLIES WITH:

- ASME A112.18.1 / CSA B125.1
- ASME A112.18.2 / CSA B125.2

♿ Indicates compliance to ICC / ANSI A117.1 - Valve control only

- EPA WaterSense®

▲ Designate proper finish suffix

Delta reserves the right (1) to make changes in specifications and materials, and (2) to change or discontinue models, both without notice or obligation. Dimensions are for reference only. See current full-line price book or www.deltafaucet.com for finish options and product availability.

DSP-L-15849LF Rev. B

Delta Faucet Company

55 E. 111th Street, Indianapolis, Indiana 46280
 350 South Edgeware Road, St. Thomas, Ontario Canada N5P 4L1
 © 2022 Delta Faucet Company