



A Moen Incorporated Brand

There is more than 1 version of this model.
Page down to identify the version you have.

Model: 40513 series With Spray
40511 series Less Spray



One Handle Kitchen/Kitchen With Spray

DESCRIPTION

- Metal construction with various finishes identified by suffix
- Hose reach 34", hose length 48", Duralock™ Quick Connect installation (for models built after November 2010)
- 40513: Chrome finish, white spray, white spray escutcheon
- 40513B: Chrome finish, black spray, black spray escutcheon
- 40513C: Chrome finish, chrome spray, chrome spray escutcheon
- 40513SL: Stainless finish, stainless spray, stainless spray escutcheon
- 1/2" IPS connections
- Six (6) individual boxes per master carton

OPERATION

- Pivot action, lever-style handle
- Temperature control by 90° arc
- Will operate with less than 5 lbs. of force

FLOW

- Spout flow limited to 1.5 gpm max (5.7 L/min) at 60 psi

CARTRIDGE

- Ceramic disc technology
- Non-metallic, non-ferrous, and plastic material
- Single body construction for easy replacement

NOTE

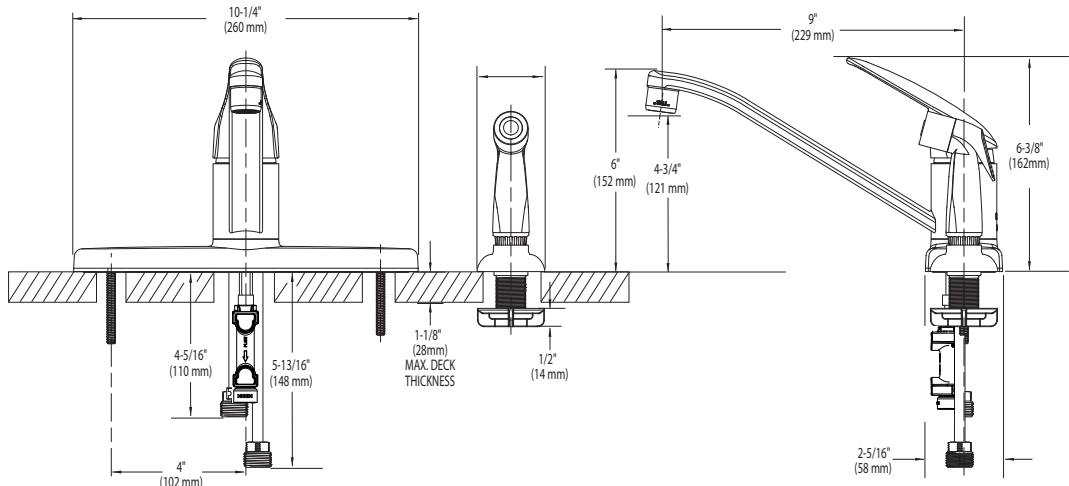
- 40513 series is designed to install through 4 holes 1-1/4" (32mm) MIN. DIA. and 4" (102mm) on center

STANDARDS

- Third party certified to ASME A112.18.1/CSA B-125.1, and all applicable requirements referenced therein, including NSF61/9
- Complies with California Proposition 65, and the Federal Safe Drinking Water Act
- Feature red/blue hot/cold temperature indicators
- ADA for lever handle

WARRANTY – RESIDENTIAL, COMMERCIAL

- Ten year limited warranty against defects in materials and manufacturing workmanship
- Refer to the installation instructions enclosed with each CFG product or call 1-888-450-4910 for complete warranty information



Model: CA40513 series With Spray
CA40511 series Less Spray



A Moen Incorporated Brand



One Handle Kitchen With Spray

DESCRIPTION

- Metal construction with various finishes identified by suffix
- Hose reach 34", hose length 48", Duralock™ Quick Connect installation (for models built after November 2010)
- CA40513: Chrome finish, white spray, white spray escutcheon
- CA40513B: Chrome finish, black spray, black spray escutcheon
- CA40513C: Chrome finish, chrome spray, chrome spray escutcheon
- CA40513SL: Stainless finish, stainless spray, stainless spray escutcheon
- 1/2" IPS connections
- Six (6) individual boxes per master carton

OPERATION

- Pivot action, lever-style handle
- Temperature control by 90° arc
- Will operate with less than 5 lbs. of force

FLOW

- Aerator limited to 1.5 gpm (5.7 L/min)

CARTRIDGE

- Ceramic disc technology
- Non-metallic, non-ferrous, and plastic material
- Single body construction for easy replacement

NOTE

- CA40513 series is designed to install through 4 holes 1-1/4" (32mm) MIN. DIA. and 4" (102mm) on center

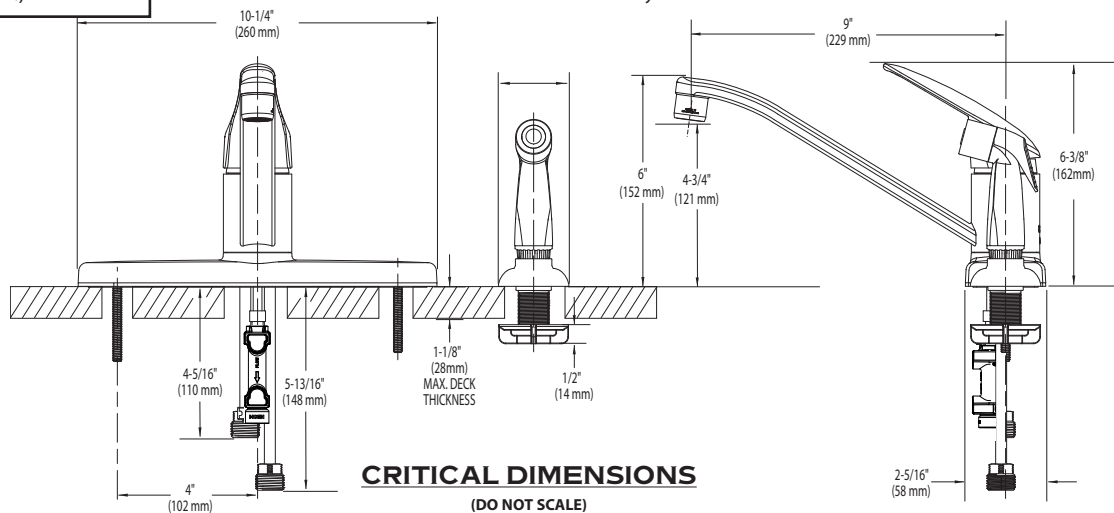
STANDARDS

- Third party certified to ASME A112.18.1/CSA B-125.1, and all applicable requirements referenced therein, including NSF61/9
- Contains no more than 0.25% average weighted lead content
- Complies with California Proposition 65, and the Federal Safe Drinking Water Act
- Feature red/blue hot/cold temperature indicators
- ADA for lever handle

WARRANTY – RESIDENTIAL, COMMERCIAL

- Ten year limited warranty against defects in materials and manufacturing workmanship
- Refer to the installation instructions enclosed with each CFG product or call 1-888-450-4910 for complete warranty information

The use of aerator part 116711 reduces flow to a maximum of 1.5 gpm (5.7L/min.)



Model: 40513 series With Spray



A Moen Incorporated Brand



One Handle Kitchen With Spray

DESCRIPTION

- Metal construction with various finishes identified by suffix
- Hose reach 34", hose length 48", Quick Connection (for models built after November 2010)
- 40513: Chrome finish, white spray, white spray escutcheon
- 40513B: Chrome finish, black spray, black spray escutcheon
- 40513C: Chrome finish, chrome spray, chrome spray escutcheon
- 40513SL: Stainless finish, stainless spray, stainless spray escutcheon
- 1/2" IPS connections
- Six (6) individual boxes per master carton

OPERATION

- Pivot action, lever-style handle
- Temperature control by 90° arc
- Will operate with less than 5 lbs. of force

FLOW

- Spout flow limited to 1.5 gpm (5.7 L/min) at 60 psi
- Diverted flow at side spray limited to 2.0 gpm max (7.6 L/min) at 60 psi

CARTRIDGE

- Ceramic disc technology
- Non-metallic, non-ferrous, and plastic material
- Single body construction for easy replacement

NOTE

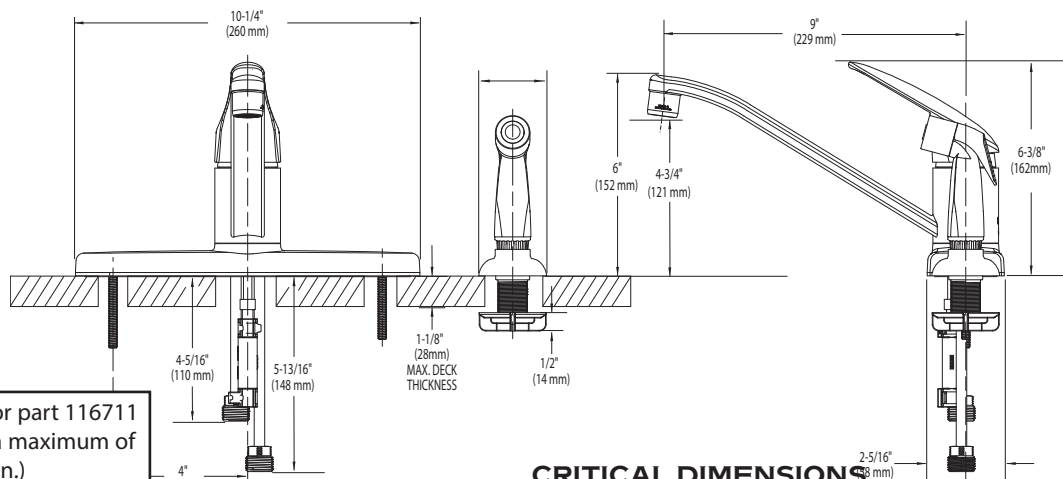
- 40513 series is designed to install through 4 holes 1-1/4" (32mm) MIN. DIA. and 4" (102mm) on center

STANDARDS

- Third party certified to IAPMO Green, ASME A112.18.1/CSA B-125.1, and all applicable requirements referenced therein, including NSF61/9
- Meets CalGreen and Georgia SB370 requirements
- Complies with California Proposition 65, and the Federal Safe Drinking Water Act
- Feature red/blue hot/cold temperature indicators
- **ADA** for lever handle

WARRANTY - RESIDENTIAL, COMMERCIAL

- Ten year limited warranty against defects in materials and manufacturing workmanship
- Refer to the installation instructions enclosed with each CFG product or call 1-888-450-4910 for complete warranty information



The use of aerator part 116711 reduces flow to a maximum of 1.5 gpm (5.7L/min.)

CRITICAL DIMENSIONS (DO NOT SCALE)