



PARAMONT™ RESIDENTIAL PLASTIC TOILET SEAT

MODEL #

COLOR #

1000CPT

DESCRIPTION:

Closed front with cover, round/elongated, heavy-weight, injection molded solid plastic toilet seat. Features four, large molded-in bumpers, Chrome hinges with non-corrosive 300 Series stainless steel posts and pintles and STA-TITE® Commercial Fastening System™. This seat complies with IAPMO/ANSI Z124.5-2013 Plastic Toilet Seats as a class Commercial Heavy Duty.

SPECIFICATIONS:

Size:	Round/Elongated
Material:	Plastic
Style:	Closed Front with Cover
Bumpers:	Four
Hinges:	Chrome
Fastening System:	STA-TITE® Commercial Fastening System™

FEATURES:

- STA-TITE® Commercial Fastening System™
- 2-Position Hinges Fit Round or Elongated Bowls
- Oversized for Comfort
- Non-Corrosive 300 Series Stainless Steel Posts and Pintles

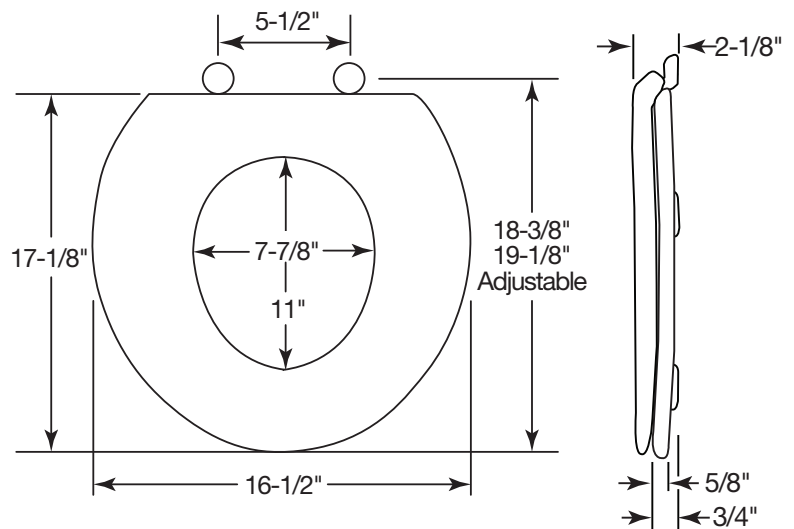
DIMENSIONS:



STA-TITE® COMMERCIAL FASTENING SYSTEM™



ADJUSTABLE HINGES TO FIT ROUND OR ELONGATED BOWLS



Proudly Made in the USA

Bemis Manufacturing Co., Sheboygan Falls, WI 53085
www.ToiletSeats.com

Phone: 800-558-7651 Fax: 800-292-3647
©2014 0B7012274 REV B