

# 67" ATLIN ACRYLIC ROLL TOP TUB

Cat. No.  
ATR67



L: 67"  
W: 29-1/2"  
H: 24-1/4" (from floor)  
18" (from bottom of tub)

Water Depth: 11-1/2" to OF

## Features:

- ▶ Outside is textured fiberglass reinforced polyester coated with two-part epoxy
- ▶ 3-3/8" centers in tub wall with continuous rolled rim
- ▶ Pre-drilled overflow hole
- ▶ Cast aluminum ball and claw feet
- ▶ Feet are attached and leveled before shipment
- ▶ Tub is thoroughly inspected before shipment



## Tub Color

WH White

## Foot Finishes

<b>BQ</b> Bisque	<b>BN</b> Brushed Nickel
<b>BL</b> Black	<b>ORB</b> Oil Rubbed Bronze
<b>PB</b> Polished Brass	<b>PN</b> Polished Nickel
<b>CP</b> Polished Chrome	<b>WH</b> White

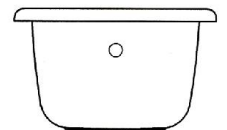
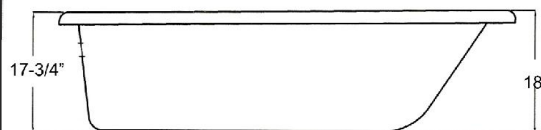
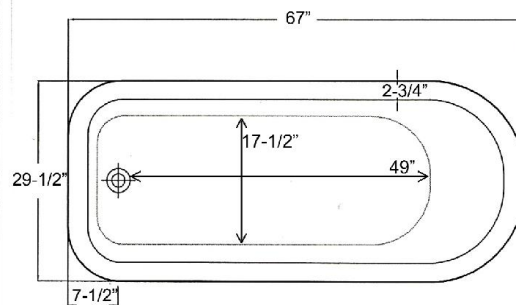
**Custom Colors Available** (inside of tub is always white enamel):  
Painted bathtubs are considered "special order" and are not returnable  
\$160 Bisque or Black \$250 Designer Color

### The following is recommended for ATR67 tubs:

- Tub wall-mounted faucets: #4022, 4025 or 4035
- Double offset bath supplies: part #5576
- Leg tub drain: part #5599

**Do Not Use with rigid, freestanding  
supplies.**

Gallon Capacity: 50  
Shipping Weight: 150 lbs.  
Empty Weight: 100 lbs.  
Filled Weight: 518 lbs.



Dimensions of fixture are nominal and specifications subject to change without notice.

# RECTANGULAR SHOWER UNIT WITH SIDE WALL SUPPORT

Cat. No.  
4192



## Features:

- ▶ Rectangular shower rod is 3/4" solid brass tubing
- ▶ Washerless diverter bathcock
- ▶ 3-3/8" Centers for tub wall mount installation
- ▶ 1/4 Turn compression stems
- ▶ Flow rate is 4 GPM
- ▶ Metal lever handles
- ▶ Polished Chrome and Brass have plastic showerheads
- ▶ Brushed Nickel, Polished Nickel and Oil Rubbed Bronze have a metal showerhead
- ▶ Includes ceiling and wall support assemblies
- ▶ Side wall support fully reversible (Left or Right)
- ▶ Supports adjustable by cutting
- ▶ For use with #5576 double offset supplies (Not Included)
- ▶ Available with 48" (#4192-48) or 54" (#4192-54) shower rod
- ▶ Finishes varies by size

SIZE	FINISH
48" x 24"	CP, BN, ORB, PB, PN
54" x 24"	PB, CP

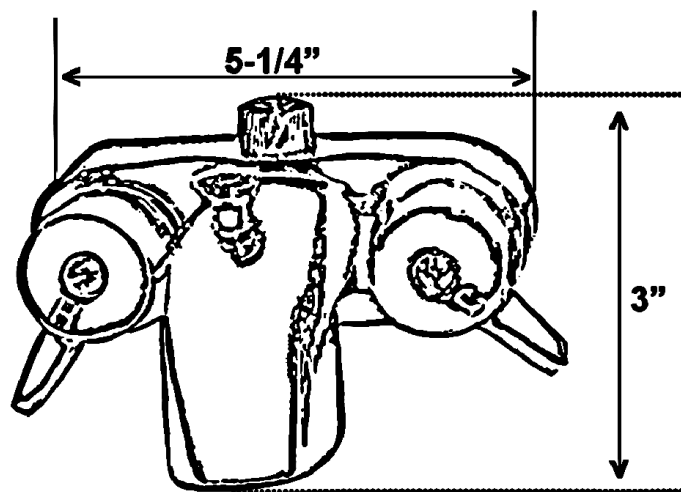
## Finishes:

CP Polished Chrome                      PB Polished Brass  
 BN Brushed Nickel                        PN Polished Nickel  
 ORB Oil Rubbed Bronze

### Shower Rod:

L: 48"                      D: 24"  
 L: 54"                      D: 24"

Riser Height:                      62"  
 Faucet Width:                      5-1/4"  
 Wall Support:                        18"  
 Ceiling Support:                    30"



Dimensions are nominal and may vary. Dimensions and specifications subject to change without notice.

# DOUBLE OFFSET BATH SUPPLIES

Cat.No.  
5576



H: 24"

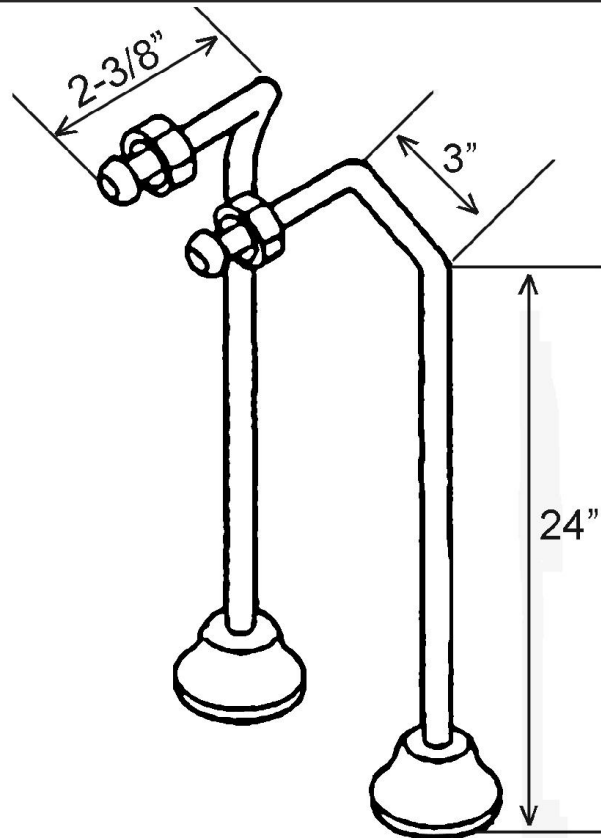
OD: 1/2"

## Features:

- ▶ For use with faucets mounted to the tub wall
- ▶ No Stops
- ▶ 1/2" Compression inlet
- ▶ 3/4" Compression outlet
- ▶ 0.500" Outer diameter
- ▶ 0.440" Inner diameter
- ▶ 0.030" Thickness of the wall
- ▶ Available in 5 finishes

## Finishes:

<b>CP</b>	Polished Chrome	<b>PN</b>	Polished Nickel
<b>PB</b>	Polished Brass	<b>BN</b>	Brushed Nickel
<b>ORB</b>	Oil Rubbed Bronze		



**Use on concrete floors requires special installation. We recommend using a plumbing professional.**

Dimensions and specifications subject to change without notice.

# LEG TUB DRAIN

Cat. No.  
5599



Escutcheon Height: 1-1/4"

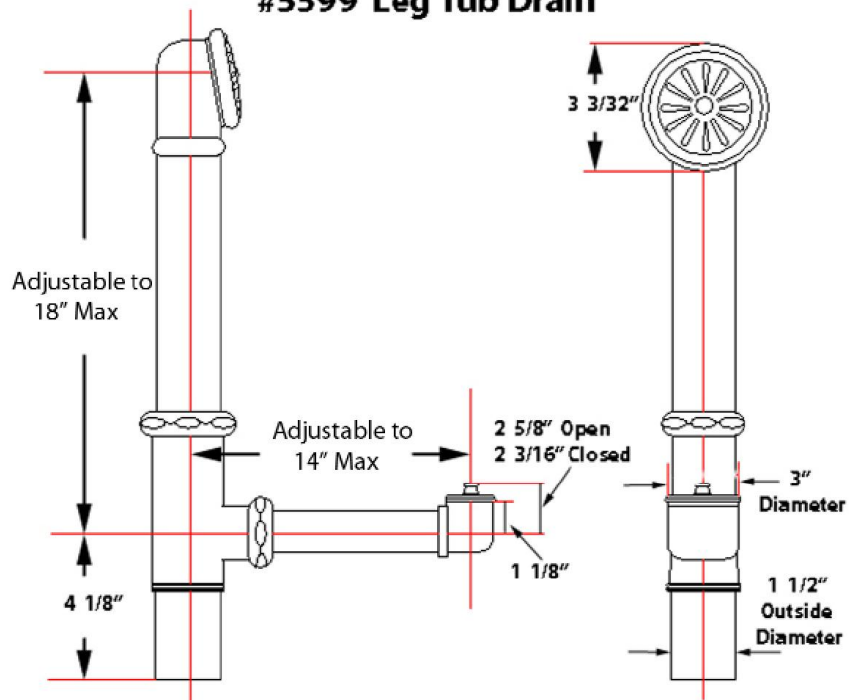
## Features:

- ▶ Twist-and-lift stopper
- ▶ Includes deep escutcheon
- ▶ Height adjustable 15"-18"
- ▶ Depth adjustable 12"-14"
- ▶ Includes deep escutcheon
- ▶ Available in 5 Finishes

## Finishes:

- CP Polished Chrome
- BP Polished Brass
- SN Brushed Nickel
- PN Polished Nickel
- ORB Oil Rubbed Bronze

## #5599 Leg Tub Drain



Dimensions and specifications subject to change without notice.